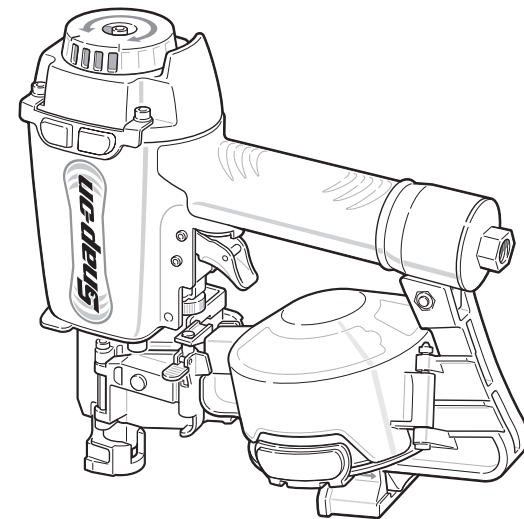


# Snap-on®

MODEL #870012

## ROOFING NAILER INSTRUCTION MANUAL



**FOR CUSTOMER SERVICE  
PARA EL SERVICIO  
PARA EL CONSUMIDOR  
1-888-278-8092**

Printed in Taiwan

### Snap-on®

SNAP-ON® IS A TRADEMARK LICENSED BY SNAP-ON® CORP., U.S.A., WHICH DOES NOT MANUFACTURE OR DISTRIBUTE THIS PRODUCT. CONSUMER INQUIRES SHOULD BE DIRECTED TO:

©COPYRIGHT 2007 ALLTRADE TOOLS, LLC.  
1431 VIA PLATA  
LONG BEACH, CA 90810-1462 USA  
870012 – Roofing Nailer\_Rev 9/26/07

THIS MANUAL CONTAINS IMPORTANT INFORMATION REGARDING SAFETY, OPERATION, MAINTENANCE AND STORAGE OF THIS PRODUCT. BEFORE USE, READ CAREFULLY AND UNDERSTAND ALL CAUTIONS, WARNINGS, INSTRUCTIONS AND PRODUCT LABELS. FAILURE TO DO SO COULD RESULT IN SERIOUS PERSONAL INJURY AND/OR PROPERTY DAMAGE.

IF YOU SHOULD HAVE ANY QUESTIONS OR EXPERIENCE A PROBLEM WITH YOUR SNAP-ON PRODUCT, DO NOT RETURN THIS PRODUCT TO THE STORE. PLEASE CALL OUR CUSTOMER SERVICE DEPARTMENT AT **1-888-278-8092**. BEFORE YOU CALL, HAVE THE FOLLOWING INFORMATION AVAILABLE: MODEL No., DATE PURCHASED AND STORE LOCATION.


## TABLE OF CONTENTS

<b>CONGRATULATIONS!</b> .....	2
GENERAL SAFETY RULES .....	2
RECOGNIZE SAFETY SYMBOLS, WORDS AND LABELS .....	2-3
IMPORTANT INFORMATION ABOUT THIS MANUAL .....	4
SAFETY WARNINGS AND PRECAUTIONS .....	4-7
FUNCTIONAL DESCRIPTION .....	7-9
COMPONENT INSTALLATION .....	8-9
OPERATING THE ROOFING NAILER .....	9-11
USING CONTACT ACTUATION TRIGGER .....	10
ADJUSTING DEPTH OF NAILING .....	10
LOADING / REMOVING NAILS INTO THE AIR NAILER .....	11
SETTING SHINGLE STOP .....	11
REQUIRED DAILY PREPARATION .....	12
USING THE AIR NAILER .....	12-13
CHANGING DIRECTION OF EXHAUST AIR .....	13
CLEARING JAMS .....	13
MAINTENANCE .....	13-14
MANDATORY MAINTENANCE .....	15
TROUBLESHOOTING .....	15-16
PARTS DIAGRAM .....	17-18
PARTS LIST .....	18-22
SPECIFICATIONS .....	23
1 YEAR LIMITED WARRANTY .....	23-26

## CONGRATULATIONS!

Thanks for choosing this product. Our aim is to provide you with the highest quality products, and we want you to be totally satisfied with your product and our Customer Service. If any help or advice is needed, please contact us at 1-888-278-8092. When properly cared for, this product will give you many years of satisfaction.

## GENERAL SAFETY RULES

 **WARNING** **READ AND FOLLOW ALL INSTRUCTIONS.** Failure to follow all instructions in this manual may result severe personal injury or death. Keep this manual and refer to it for Safety Instructions, Operating Procedures, and Warranty.

**SAVE THESE INSTRUCTIONS FOR FUTURE REFERENCE.**

## RECOGNIZE SAFETY SYMBOLS, WORDS AND LABELS

The safety instructions provided in this manual are not intended to cover all possible conditions and practices that may occur when operating, maintaining and cleaning power tools.

Always use common sense and pay particular attention to all the **DANGER**, **WARNING**, **CAUTION** and **NOTE** statements of this manual.



This is the safety alert symbol. It is used to alert you to potential personal injury hazards. Obey all safety messages that follow this symbol to avoid possible injury or death.

### **DANGER**

**DANGER** indicates an imminently hazardous situation which, if not avoided, will result in death or serious injury.

### **WARNING**

**WARNING** indicates a potentially hazardous situation which, if not avoided, could result in death or serious injury.

### **CAUTION**

**CAUTION** indicates a potentially hazardous situation which, if not avoided, may result in minor or moderate injury.

## CAUTION

**CAUTION** used without the safety alert symbol indicates a potentially hazardous situation which, if not avoided, may result in property damage.

## NOTE

**NOTE** provides additional information that is useful for proper use and maintenance of this tool. If a **NOTE** is indicated make sure it is fully understood.

In addition to **SAFETY ALERTS** listed above, there could also be numerous symbols alerting the operator that specific safety equipment is required to safely operate this tool. Learn these **SAFETY SYMBOLS** as well as the **SAFETY ALERTS** to prevent injury to the operator and to bystanders.



**READ OPERATING INSTRUCTIONS:** Read and understand tool labels, safety warnings and precautions in this manual before operating the tool. Failure to follow **WARNINGS** could result in serious injury or even death to the operator or bystanders.



**WEAR APPROVED EYE PROTECTION:** Safety glasses must conform to the requirements of American National Standards Institute (ANSI) Z87.1 and provide protection against flying particles from both front and side.



**WEAR HEARING PROTECTORS:** Hearing protectors should be worn to protect the ears from loud exhaust noise produced by the air tools.



**USE ONLY CLEAN, DRY COMPRESSED AIR:** Never use oxygen, combustible gases and any other bottled gas to operate air tools. Using these other sources can cause the air tool to explode.



**NEVER POINT THE ROOFING NAILER AT YOURSELF OR OTHERS:** Fasteners are under extreme pressure and can cause severe injury or even death if misused.



**DO NOT EXCEED 120 psi (8.43 kg/cm<sup>2</sup>G).** Using excessive pressure from the power source can cause the roofing nailer to explode resulting in severe injury or even death to the operator or bystanders.

## IMPORTANT INFORMATION ABOUT THIS MANUAL

Improper maintenance and operation are responsible for the majority of accidents involving roofing nailers. The largest portion of these could be prevented by recognizing the basic safety rules and precautions. Most accidents can be avoided if the operator recognizes a potentially hazardous situation before it happens and by observing appropriate safety rules and procedures as outlined in this manual.

Basic safety precautions are outlined in the **SAFETY** portion of this manual and throughout text in this manual where a potential hazard might occur.

Hazards that **MUST** be avoided to prevent serious injury follow headers marked **DANGER** or **WARNING**. These same precautions are placed as labels on the tool itself.

**NEVER** use this nailer for applications that are **NOT** specified in this manual.

## SAFETY WARNINGS AND PRECAUTIONS

### **DANGER**


**Do not operate roofing nailer anywhere fastener may contact hidden electrical wiring.** Contact with a “live” wire will make all metal parts of the roofing nailer “live.” This can result in severe electrical shock, severe burns or death to the operator. Contact a qualified electrical contractor to ensure a safe working environment exists.

**Be aware of conduits or gas pipes.** Striking a gas pipe could result in an explosion causing serious injuries or even death to the operator or bystanders.

**Be aware of what is behind the work piece.** A fastener could travel through the work piece and out the other side, striking a bystander resulting in serious injury or even death.

**Do not operate the roofing nailer in the presence of flammable liquids, such as gasoline, thinner, paint, or adhesives, gases or dust.** Sparks created by the tool can cause flammable materials to ignite or explode. Failure to comply with this warning could result in serious injury or even death to the operator.

**Keep bystanders, children and visitors away from area where roofing nailer is being used.** Distractions can result in severe injury or even death to anyone who inadvertently gets in the way of nailing operations.

 **Do not use oxygen, combustible or bottled gases (such as carbon dioxide or nitrogen) as a power source for the roofing nailer.** Use only compressed air from a source as outlined in this manual. The tool will explode resulting in severe injury or even death to the operator and bystanders.

**⚠ WARNING**



**Do not connect roofing nailer to an air source capable of generating more than 200 psi (14.06 kg/cm<sup>2</sup>G).** Over-pressurizing the roofing nailer will result in bursting, abnormal operation or breakage of the tool. Use only clean, dry, regulated compressed air at levels specified on the tool. Failure to comply can cause severe injury or death to the operator or bystanders.

**Do not attempt to fasten the trigger in the "ON" position.** This could lead to an accidental discharge of the roofing nailer. Do not operate the roofing nailer if any portion of the tool's operating controls are inoperable, disconnected, altered in any way or not in proper working order. Failure to comply with this warning could result in serious injury or even death to the operator or other bystanders.



**All air compressors must comply with the requirements of ANSI b19.3.** Pressure regulators must be used to limit air pressure where air supply pressure exceeds the tool's rated operating pressure.

**Do not carry the roofing nailer with a finger on the trigger.** This could lead to an accidental discharge of the roofing nailer. Do not press the trigger of the roofing nailer unless it is pressed firmly against the work piece. Do not point the roofing nailer at yourself or in the direction of another person. Failure to comply with this warning could result in serious injury or even death to the operator or other bystanders.

**Do not tamper with the work piece contact.** The work piece contact prevents accidental discharge of the roofing nailer and should never be removed or compromised in any way. Failure to comply with this warning could result in serious injury or even death to the operator or other bystanders.

**Always disconnect air hose and remove any remaining nails:**

1. When roofing nailer is left unattended.
2. Before performing any maintenance or repair on the roofing nailer.
3. Before attempting to clear a jam in the roofing nailer.
4. Before moving the roofing nailer to a new location.

**Always check the overall condition of the roofing nailer before using. Check for and tighten any loose screws.** Ensure all safety systems are in working condition before using the roofing nailer. The roofing nailer must not operate if only the trigger is pulled or if only the work piece contact is pressed against the work piece. The roofing nailer must only be used if both the trigger and work piece contact work at the same time.

**⚠ WARNING**



**Always use hearing protection to protect your ears against hearing loss due to exhaust noise. Always wear proper safety glasses to prevent injuries to the eyes from fragments of the work piece, defective nails or other debris caused by using the roofing nailer.** All safety glasses must have side shields and should conform to the requirements of the American National Standards Institute (ANSI) z87.1. Failure to comply with this warning could lead to serious or permanent damage to the ears as well as serious damage or permanent blindness in the eyes.

**Never carry the roofing nailer by the air hose.** A sudden disconnection of the air hose could cause the roofing nailer to remain charged and an accidental firing could occur. Failure to comply with this warning could lead to serious injury to the operator or bystanders.

**Always disconnect the power source and ensure the tool is not charged before loading fasteners.** Failure to comply with this warning could cause severe injury or death to the operator, bystanders and severe damage to the roofing nailer.

**Never use a non-relieving air coupler with the roofing nailer.** Always use couplers that release any built up charge in the roofing nailer's firing mechanism. A non-relieving air coupler can allow the roofing nailer to discharge a fastener while the tool is disconnected from the power source. Failure to comply with this warning can result in serious or permanent injury or even death to the operator or to bystanders.

**Do not drive nails on top of other nails.** Do not operate the roofing nailer at too steep of an angle. Nails can ricochet. Failure to comply with this warning can result in serious injury or even death to the operator or bystanders.

**Do not modify the roofing nailer in any way.** Unauthorized alterations can jeopardize safety in the tool's operation. Failure to follow this precaution can result in serious injury or even death to the operator or bystanders.

**On rooftops and other high locations, always move forward as you use the roofing nailer.** You can easily lose your footing if moving backwards. When nailing against a perpendicular surface, nail from the top down. This causes less fatigue and reduces the chances of accidents.

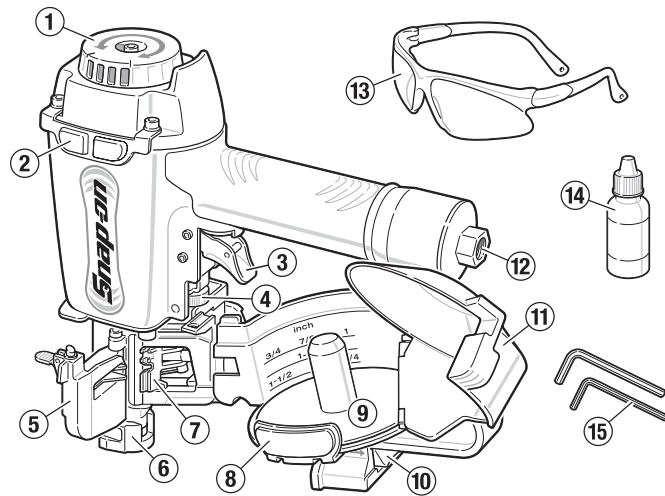
**Ensure the work area is sufficiently illuminated to operate power tools.** The work area should be clear and free of litter.

**⚠ WARNING**

Thoroughly clean and maintain the roofing nailer after every use. Lubricate moving parts to prevent rust and minimize friction related wear. Wipe down the entire tool and remove all dust from the moving parts. Properly store the roofing nailer in a suitable case to keep it ready for the next job.

All maintenance and repairs should be performed by an authorized repair facility. Call 1-888-278-8092 to obtain a list of repair facilities in your area or to make arrangements to return the tool for service.

**FUNCTIONAL DESCRIPTION**



**CONTROLS AND COMPONENTS:**

- 1. Adjustable Exhaust
- 2. Bumper
- 3. Trigger
- 4. Nail Depth Adjuster
- 5. Feeder Door
- 6. Work Piece Contact
- 7. Nail Guide
- 8. Bumper
- 9. Adjustable Nail Spindle

10. Shingle Guide Release

11. Nail Magazine Cover

12. Air Inlet

**ACCESSORIES:**

- 13. Safety Glasses
- 14. Lubricant
- 15. Hex Wrenches (2)

**COMPONENT INSTALLATION**

**⚠ WARNING**

Never use a non-relieving air coupler with the roofing nailer. Always use couplers that release any built-up charge in the roofing nailer's firing mechanism. A non-relieving air coupler can allow the roofing nailer to discharge a fastener while the tool is disconnected from the power source. Failure to comply with this warning can result in serious or permanent injury or even death to the operator or to bystanders.

When selecting an air compressor, it must comply with the requirements of the American National Safety Institute - ANSI B19.3.

Choose an air compressor that can supply more than the required air pressure to ensure optimum efficiency. Always use clean, dry compressed air with a maximum pressure of 200 psig. Use a pressure regulator and set the pressure between 70 – 120 psig. (5.0 – 8.5 kg/cm<sup>2</sup>G). Before each use, check the pressure regulator to ensure it is functioning within the proper pressure range.

**⚠ WARNING**

Using an air pressure of more than 120 psi can cause the roofing nailer to malfunction or possibly explode causing severe injury or property damage.



**SELECTING A PROPER AIR HOSE**

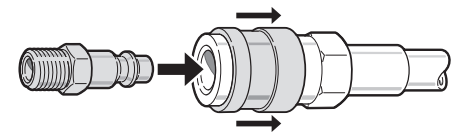
Use an air hose with the largest diameter and shortest length possible to ensure continuous, efficient nailing operations. Using an air pressure of 70 psig (5.0 kg/cm<sup>2</sup>G), an air hose with an inside diameter of 1/4" (6.5 mm) or greater and a hose length of less than 6.6 ft (20 m), it is recommended that a 0.5 second interval be allowed between each nailing. Air supply hoses shall have a minimum working pressure of 150 psig (10.7 kg/cm<sup>2</sup>G) or 150% of the maximum pressure produced by the compressor or which ever is higher.

**⚠ CAUTION**

Low air output by the compressor or a longer hose with a smaller inside diameter in relation to the nailing frequency may decrease the driving capability of the air nailer.

**SELECTING A QUICK DISCONNECT**

- 1. Remove the plastic protective plug from the tool's air inlet.
- 2. Insert a 1/4" NPT male quick disconnect into the air inlet. Install the female portion to the air hose.



To improve the connection between the quick disconnect and air nailer, and to help prevent oxidation, apply PTFE tape or joint compound to the connector threads before insertion.

3. Snap the air hose onto the quick disconnect on the air nailer. Check for air leaks.

### LUBRICATION

To ensure maximum performance, it is recommended to install an air set (oiler, regulator, and air filter) as close as possible to the air nailer. Adjust the oiler so that approximately one drop of oil will be released for every 50 nails.

If an air set is not used or is unavailable, oil the tool using pneumatic tool oil by placing 2 or 3 drops into the air inlet. This should be done before and after use. For proper lubrication, the tool must be fired several times after the oil is introduced to the filter.

### OPERATING THE ROOFING NAILER

#### ⚠ WARNING

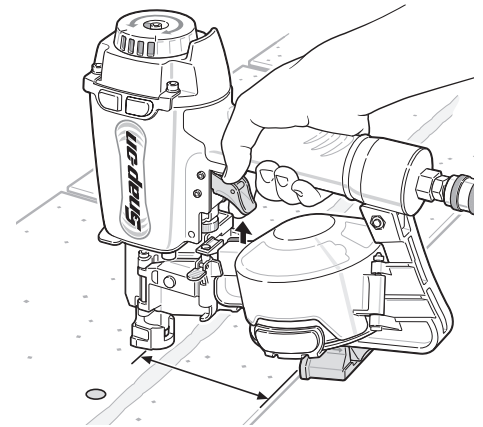


Always use hearing protection to protect your ears against hearing loss due to exhaust noise. Always wear proper safety glasses to prevent injuries to the eyes from fragments of the work piece, defective nails or other debris caused by using the roofing nailer. All safety glasses must have side shields and should conform to the requirements of the American National Standards Institute (ANSI) Z87.1. Failure to comply with this warning could lead to serious or permanent damage to the ears as well as serious damage or permanent blindness in the eyes.

Always disconnect the air hose before making adjustments or checking the functionality of the air nailer.

### USING CONTACT ACTUATION TRIGGER

1. Firmly grip roofing nailer handle.
2. Position roofing nailer work piece contact on work piece surface.
3. Push roofing nailer against work piece compressing work piece contact.
4. Pull trigger on roofing nailer to drive nail. The roofing nailer will recoil away from the work piece as nail is driven.



### ADJUSTING DEPTH OF NAILING

#### ⚠ WARNING

Be aware of material thickness when using nailer. A protruding nail may cause injury.

Adjust the depth of nailing by turning the adjustment knob (Figure 1, Item 1) to the left (A) for the deepest setting and to the right (B) for the shallowest setting. To increase the depth of the nails, when the adjustment knob is already set to its highest setting, increase the air pressure. To decrease the depth of nails when the adjustment knob is already set to its lowest setting, decrease the air pressure. Should nails be driven too deep even when the adjustment knob is set at its lowest setting, decrease the air pressure. In general, the roofing nailer will have a longer service life when the adjustment knob is set a lower setting causing less wear and tear on the driving mechanism.

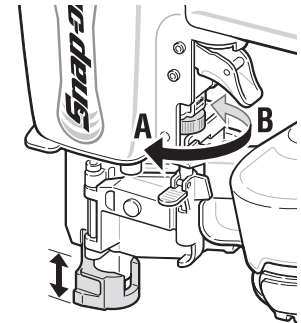


Figure 1

#### ⚠ WARNING

Always disconnect the air nailer before making any adjustments to the nail depth knob.

## LOADING / REMOVING NAILS INTO THE AIR NAILER

### LOADING NAILS INTO AIR NAILER

Push down on feeder door release lever and swing feeder door open (Figure 2). Open magazine cover, then lift and rotate spindle to adjust magazine depth to match nail length (Figure 3). Load nail coil onto magazine spindle, then feed open end of coil through magazine slot and close magazine door. Place first nail into feeder slot, then close and latch load door (Figure 2).

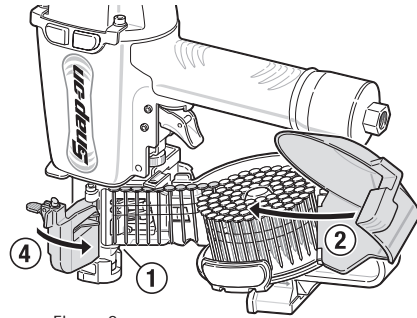


Figure 2

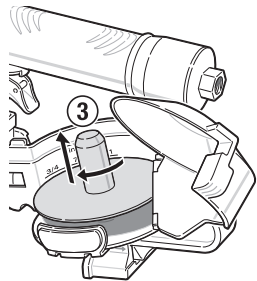


Figure 3

### REMOVING NAILS FROM AIR NAILER

Push down on feeder door release lever and swing feeder door open. Remove open end of coil from feeder slot. Open magazine door and lift remaining coil off of spindle and remove coil from nailer.

### **⚠ WARNING**

Always disconnect the air hose from the nailer before adding or removing nails to the air nailer.

NEVER use deformed nails or nail strip. Failure to observe this precaution can result in poor nail feeding and/or jams in the feeding mechanism.

## SETTING SHINGLE STOP

Press and hold release button and slide shingle stop forward or backward as required to adjust nailer for shingle size, from 5" to 8". Ensure shingle stop is fully seated before proceeding.

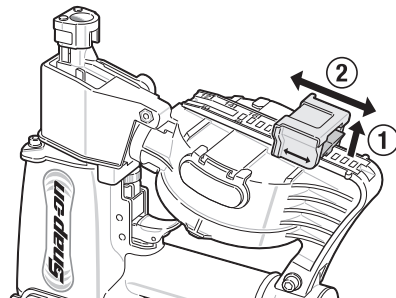


Figure 4

## REQUIRED DAILY PREPARATION

The following steps should be performed on a daily basis to ensure the roofing nailer is operating correctly:

1. Disconnect air supply from nailer and remove fastener strip.
2. Check all screws, nuts and pins and ensure all are tight.
3. With work piece contact against the work piece, pull trigger. The trigger must operate smoothly.
4. Connect air supply and set regulator for 70 psig. DO NOT load nails.
5. Holding nailer away from work piece, pull trigger. The tool MUST NOT operate. While still pulling trigger, press the nailer against work piece. The tool MUST operate.
6. If Steps 1 through 5 function properly, prepare the tool for use. Select operation mode and load fasteners.
8. Set the required depth of drive.
9. Repeat these steps daily. Test again if the nailer is dropped, jammed, etc.

## USING THE AIR NAILER

To drive a nail, place the work piece contact of the air nailer against the work piece and pull the trigger. (See Figure 5). To avoid any unexpected nailings, perform the operation as follows:

1. Avoid placing the work piece contact against the work piece with excessive force.
2. Pull the trigger fully and hold it in the fired position for 1 to 2 seconds before releasing the trigger. This will give the air nailer time to completely expend the previous nail and build enough pressure for the next nail.

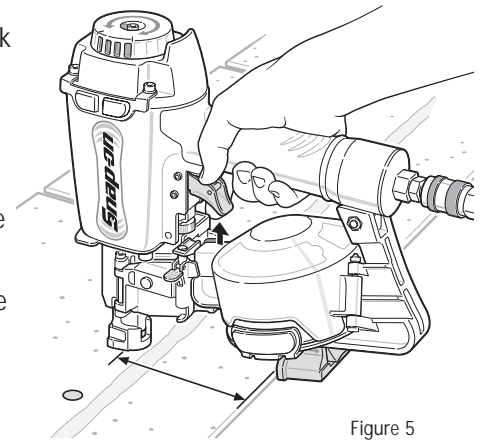


Figure 5

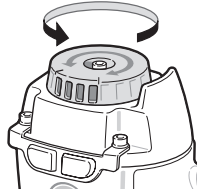
### **⚠ WARNING**

DO NOT hold the trigger in a half-pulled position. This could cause an unexpected nailing to occur if the contact tip is permitted to re-contact the work piece. Failure to comply could result in damage to work piece.

## CHANGING DIRECTION OF EXHAUST AIR

The direction of exhaust air on the air nailer can be directed 360° degrees by placing hand on exhaust cover and turning. See Figure 6.

Figure 6



## CLEARING JAMS

Typically, jams are caused when a fastener or a fastener fragment becomes wedged between the driver blade and nail guide. Using the wrong fastener can also cause jams.

### TO CLEAR A JAM:

1. Disconnect the air supply and remove the fastener strip. Leave the pusher assembly open.
2. Pull out the latch tab and open the jam-clearing door.
3. Remove all debris that has built up during operation.
4. Remove jammed fastener. If fastener is difficult to grasp, use needle nose pliers instead of fingers.
5. If necessary, insert a flat-blade screwdriver so that it touches the tip of the driver blade. See Figure 7. Tap the screwdriver with a hammer. The screwdriver will push the driver blade back, freeing the jam.
6. Close the jam-clearing door securely.

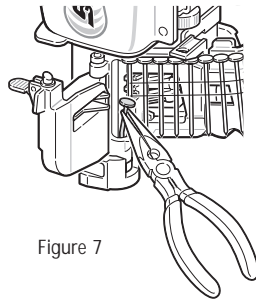


Figure 7

## MAINTENANCE

### STORAGE OF NAILS

Always handle nail strips and their box very carefully. If the nail strips have been mishandled, they may be out of shape or have breaks in the connecting strips. This will cause the nails to feed poorly and possibly result in misfiring or jams in the air nailer.

Avoid storing nails in a very humid or hot environment or place in direct sunlight.

### OVERALL MAINTENANCE OF AIR NAILER

**⚠ WARNING** Always disconnect the air hose from air nailer before attempting any type of maintenance or visual inspection of tool.

Always visually inspect air nailer before every use. Check on the overall condition and for any loose screws. Tighten any screws that have come loose. See Figure 8.

Visually inspect the work piece contact and trigger to ensure there is free movement. See Figure 9.

When the tool is not going to be used for

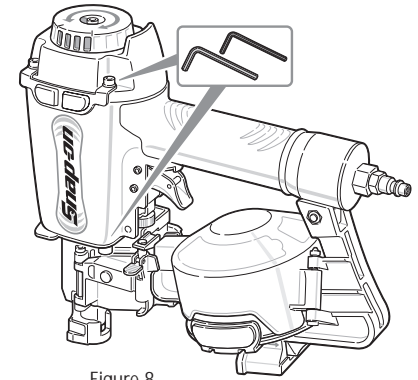


Figure 8

an extended period, wipe off all dust and debris that have collected on it. Tighten all loose screws. Lubricate the firing mechanism with pneumatic tool oil. See page 9 for Lubrication.

Store the air nailer in a safe location or in suitable carrying case. It is recommended that the air nailer be secured in a locked location to prevent unauthorized usage.

Avoid exposure to direct sunlight and/or

locations with high humidity and heat.

**⚠ WARNING** Remove the air nailer from use and schedule to have it repaired at an authorized repair facility if the work piece contact is binding or not moving freely. Do not attempt to repair the air nailer. Failure to comply can result in malfunction of the tool and severe injury to the operator or any bystanders.

### MANDATORY MAINTENANCE

**⚠ WARNING** All maintenance and repairs should be performed by an authorized repair facility. Call 1-888-278-8092 to obtain a list of repair facilities in your area or to make arrangements to return the tool for service.

ACTION	REASON	OPERATION
Clean magazine and feeder mechanism.	Prevents roofing nailer from jamming.	Use compressed air and clean daily.
Inspect and ensure work piece contact operates properly.	Ensures operator safety and keeps roofing nailer working efficiently.	Use compressed air and clean daily.
Lubricate roofing nailer after every use using pneumatic tool oil.	Extends life of roofing nailer.	Apply 2 – 3 drops of pneumatic tool oil to roofing nailer air inlet after every use.

### TROUBLESHOOTING

Most minor problems can be resolved quickly and easily using the troubleshooting table below. For problems that cannot be solved, contact Customer Service (toll free) at 1-888-278-8092.

PROBLEM	POSSIBLE CAUSE	SOLUTION
Drives nails properly during normal nailing operations, but fails to drive nails fully at faster operating speeds.	Check inside diameter of air hose.	Switch to air hose with larger inside diameter.

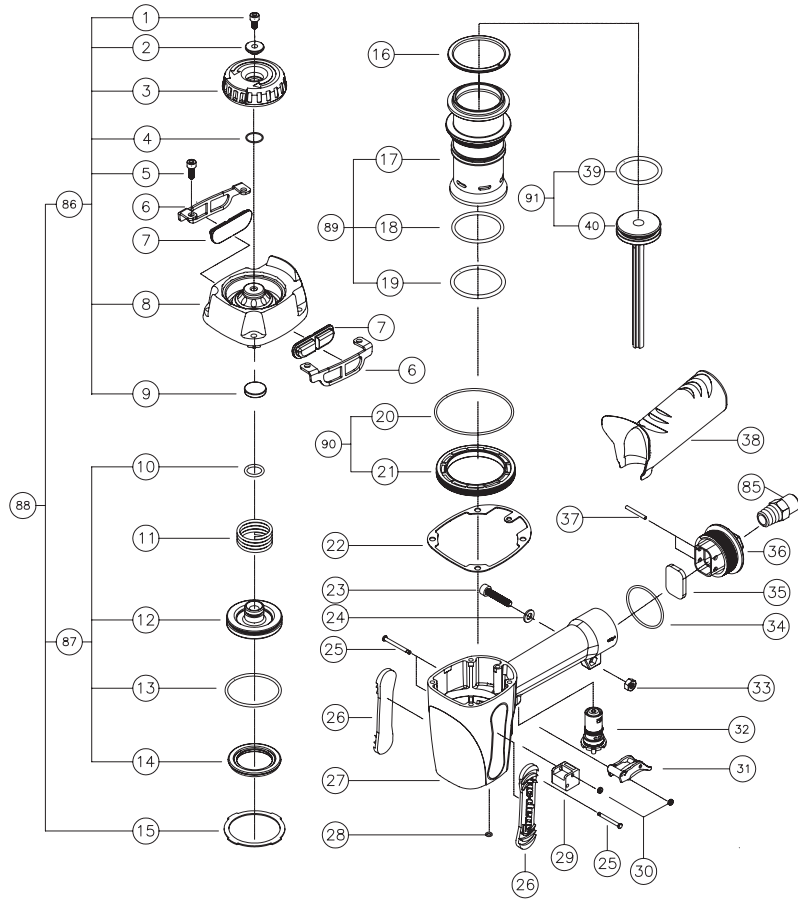
### PROBLEM

### POSSIBLE CAUSE

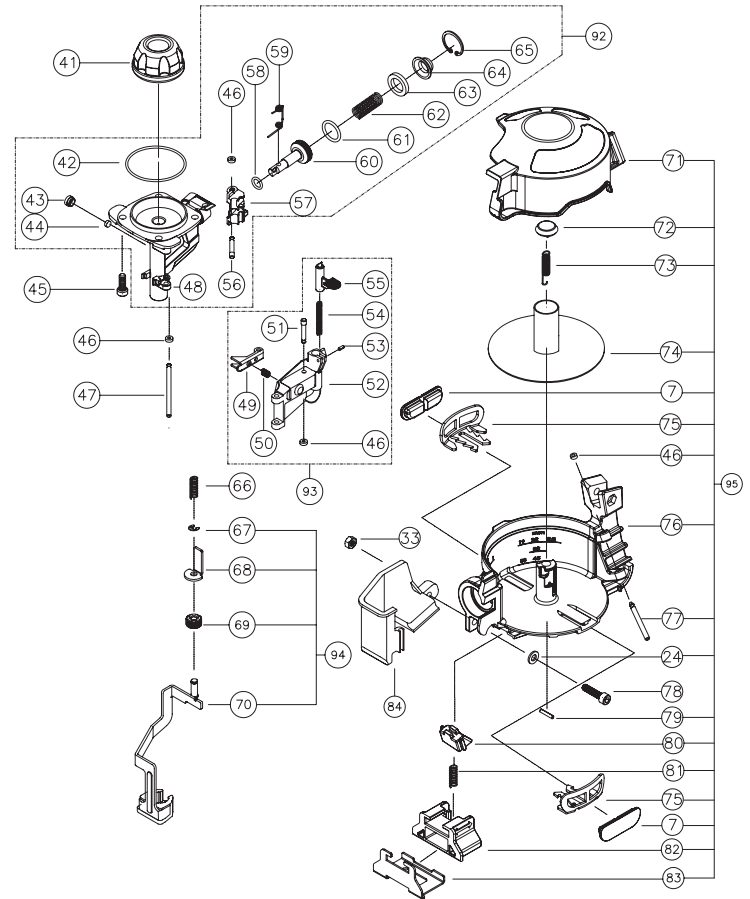
### SOLUTION

Nailer operates, but no nail is driven.	Check for jammed nail. Inspect nail feeder mechanism. Ensure correct nails are being used.	Clear jammed nail. Clean and lubricate nail feeder. Use <b>ONLY</b> recommended nails.
Weak drive. Slow to cycle between nailings.	Ensure proper air pressure is being used. Inspect for worn driver blade. Inspect piston O-ring for wear or damage.	Increase air pressure, Do not exceed 120 psig (8.3 bars, 8.5 kgf/cm <sup>2</sup> )  Contact Customer Service.
Nails driven too deep.	Check air pressure.	Reduce air pressure.
Roofing nailer feeds intermittently or skips nails.	Ensure correct nails are being used. Inspect nail feeder mechanism. Piston O-ring damaged or worn. Nail feeder worn or damaged.	Use <b>ONLY</b> recommended nails. Clean and lubricate nail feeder. Use recommended pneumatic tool oil. Contact Customer Service. Replace nail feeder.
Nails jam or driven nail is bent.	Ensure correct nails are being used. Inspect for worn driver blade. Nail feeder worn or damaged.	Use <b>ONLY</b> recommended nails. Contact Customer Service. Replace nail feeder.

**PARTS DIAGRAM**



**PARTS DIAGRAM**



**PARTS LIST**

ITEM NO.	PART NO.	DESCRIPTION
1	A0000-0401	Nylon Screw M5*14
2	A0710-0631	Spacer
3	A0304-0571	Exhaust Cover
4	A0200-1371	O-Ring 13.5*2
5	B0000-0051	Screw Set M5*20
6	A0316-0371	Body Guard

ITEM NO.	PART NO.	DESCRIPTION
7	A0316-0361	Bumper
8	A0301-1621	Cap, Top
9	A0311-0171	Seal, Air
10	A0200-0221	O-Ring 13.8*2.4
11	A0100-0041	Compression Spring
12	A0308-0101	Disc Valve
13	A0200-0531	O-Ring 48*2.5
14	A0311-0581	Seal, Air
15	A0313-0351	Cylinder Washer
16	A0313-0361	Spacer
17	A0303-0751	Cylinder
18	A02001571	O-Ring 43.8*2.5
19	A0200-0981	O-Ring 44.7*3.5
20	A0200-3721	O-Ring 70*2.3
21	A0312-0191	Cylinder Separater
22	A0205-0511	Gasket
23	A0000-0171	Screw M6*30
24	A0005-0541	Washer 12.5*1.6T
25	A0006-1391	Pin
26	A0313-0661	Main Body Bumper
27	A0401-2011	Body
28	A0200-3201	O-Ring 4*1
29	A0712-1261	Release Catch Guide
30	A0005-0311	Pin Retainer 5.5*2
31	K0500-1521	Trigger Set

ITEM NO.	PART NO.	DESCRIPTION
32	K0500-0351	Trigger Valve Set
33	A0004-0061	Nylon Nut M6
34	A0200-0661	O-Ring 38*2.5
35	A0203-0191	Filter
36	A0306-1151	Tail Cover
37	A0011-0161	Spring Pin 3*24
38	A0204-1681	Grip
39	A0200-2691	O-Ring 36.09*3.53 (NBR)
40	Ko600-4081	Piston Set
41	A0309-0621	Bumper
42	A0200-1471	O-Ring 50*2
43	A0719-0413	Magnet Fixer
44	A0713-0261	Magnet
45	A0000-0421	Nylon Screw M6*18
46	A0005-0481	Pin Retainer
47	A0007-0551	Lock Pin
48	A0713-0711	Outlet Site
49	A0716-0551	Stopper
50	A0100-1891	Spring
51	A0007-0531	Lock Pin
52	A0712-1271	Outlet Site Cover
53	A0011-0181	Spring Pin 3*8
54	A0100-0711	Spring
55	A0006-1381	Jointer
56	A0007-0471	Lock Pin

ITEM NO.	PART NO.	DESCRIPTION
57	A0707-1811	Pusher
58	A0200-3171	O-Ring 8.8*2
59	A0100-2171	Spring
60	A0707-1821	Piston
61	A0200-3181	O-Ring 17.5*2.5
62	A0100-2211	Spring
63	A0313-0371	Stop, Feed Piston
64	A0716-0561	Pusher Cover
65	A0005-1061	C-Ring 25.9
66	A0100-0461	Spring
67	A0005-0121	E-Ring 3
68	A0711-2831	Release Catch B
69	A0714-0671	Adjustment Wheel
70	B0700-4631	Contact Arm
71	A0702-1131	Upper Magazine
72	A0708-0311	Adjustable Rod Cover
73	A0100-2641	Extension Spring
74	A0702-0891	Disc For Nail
75	A0708-0681	Guard Plate
76	A0702-1121	Magazine
77	A0007-0641	Lock Pin
78	A0000-0371	Screw M6*16
79	A0011-0031	Spring Pin 2.5*8
80	A0717-0111	Slider
81	A0100-0651	Safety Spring
82	A0717-0091	Magazine Guider

ITEM NO.	PART NO.	DESCRIPTION
83	A0717-0101	Magazine Guider Plate
84	A0712-1281	Outlet Site Cover
85	A0307-0041	Air Plug
86	K0300-4031	Top Cap Set
87	K0300-3181	Head Valve Assembly
88	K0300-4041	Top Cap Set
89	K0300-3191	Cylinder Set
90	K0300-3201	Spacer Set
91	K0600-4091	Piston Unit
92	K0700-4861	Outlet Site Assembly
93	K0700-4871	Outlet Site Door Set
94	K0700-5801	Release Catch Set
95	K0700-5651	Magazine Set

## SPECIFICATIONS

MODEL NUMBER	870012
AIR PRESSURE	70-120 PSIG (5.0- 8.5 kg/cm <sup>2</sup> G)
NAIL STYLE	Coil Roofing
NAIL LENGTH	3/4" - 1 3/4" (31.75 mm)
NAIL CAPACITY	120 NAILS
NAIL DIAMETER	.120"
NET WEIGHT	5 LBS. (2.2 KG)

## 1 YEAR LIMITED WARRANTY

### Express and Exclusive Limited Warranty to Original Retail Buyer

Alltrade Tools LLC (hereinafter "Alltrade") expressly warrants to the original retail purchaser of the accompanying SNAP-ON™ portable air tool and no one else all parts of the product (except those parts referred to below which are specifically excluded from such warranty (see Exclusions) to be free from defects in materials and workmanship for a period of one year from the original date of purchase.

The date of purchase shall be the date of shipment to the original purchaser, or the date the original purchaser took possession, custody, or control of the product, whichever occurred first. This warranty shall be null and void if the product or any component thereof is modified or altered. This warranty does not apply to any other product and/or component thereof manufactured or distributed by Alltrade, and does not apply to products and/or components thereof designed, manufactured and/or assembled by others, for which Alltrade makes no warranties whatsoever.

**THERE ARE NO WARRANTIES, WHICH EXTEND BEYOND THE DESCRIPTION ON THE FACE HEREOF.**

### WARRANTY PERFORMANCE

By purchasing this product, purchaser expressly acknowledges and agrees that their sole and exclusive remedy under this warranty shall be strictly limited to the repair or replacement of any covered nonconforming items or parts thereof provided that any such nonconforming item and/or part is promptly returned to an Authorized Service Center within the applicable warranty period, with a written request by purchaser that Alltrade repair and/or replace the nonconforming item and/or part. We recommend that you keep the original product packaging in the

event you need to ship the unit. We suggest the package be insured against loss or in transit damage. When sending your product, include your name, address, phone number, e-mail address, dated proof of purchase (or copy) and a statement about the nature of the problem. Warranty coverage is conditioned upon purchaser furnishing Alltrade with adequate written proof that they are the original purchaser and of the original purchase date. Parts returned, freight prepaid and insured, will be inspected and, at Alltrade's option, repaired and/or replaced free of charge if it is found to be defective and subject to warranty. Alltrade retains the sole discretion to determine whether any item or part is nonconforming and, if so, whether the item and/or part will be repaired and/or replaced. If the unit is repaired, new or reconditioned replacement parts may be used. If Alltrade chooses to replace the product, it may replace it with a new or reconditioned of the same or comparable design. The repaired or replaced unit will be warranted under the terms of the remainder of the one year warranty period; covered defective parts not subject to normal wear and tear or other exclusions will be repaired or replaced, at Alltrade's option. During the warranty period, Alltrade will be responsible for the return shipping charges. Alltrade's repair and/or replacement of any nonconforming item and/or part thereof shall constitute fulfillment of all obligations to the purchaser. Alltrade shall not be responsible or liable for any expense, including freight charges, or repairs made outside Alltrade's facility or an Alltrade designated service, unless expressly agreed to by Alltrade in writing. Under no circumstances shall Alltrade bear any responsibility for loss of the unit, loss of time or rental, inconvenience, commercial loss, or consequential damages.

For the location of an Authorized Service Center nearest you, please call customer service at 1-888-278-8092.

### EXCLUSIONS

Air nailers and staplers need periodic maintenance to remain in proper operating condition. Normal wear parts (o-rings and driver blades) shall be warranted to the original purchaser to be free from defects in materials and workmanship for a period of 90 days from the original date of purchase.

This warranty does not cover parts damaged due to normal wear, abnormal conditions, misapplication, misuse, abuse, accidents, operation, improper storage, or freight damage. Parts damaged or worn by operation in dusty environments are not warranted. Failure to follow recommended operating and maintenance procedures also voids warranty.

**DAMAGE TO THE PRODUCT RESULTING FROM TAMPERING, ACCIDENT, ABUSE, NEGLIGENCE, FAILURE TO FOLLOW INSTRUCTIONS, UNAUTHORIZED REPAIRS OR ALTERATIONS, DAMAGE WHILE IN TRANSIT TO OUR SERVICE FACILITY, USE OF UNAPPROVED OR IMPROPER ATTACHMENTS OR ACCESSORIES, OR OTHER CAUSES UNRELATED TO PROBLEMS WITH MATERIAL OR WORKMANSHIP ARE NOT COVERED BY THIS WARRANTY.**

Alltrade will not be liable for the following: labor charges, loss or damage resulting from improper operation, maintenance or repairs made by other persons; pre-delivery services such as assembly, oil and lubricants, and adjustment; maintenance services that are normally required to maintain the product.

The use of other than genuine Snap-On™ Repair Parts will VOID the warranty.

#### **WARRANTY DISCLAIMERS**

EXCLUSION AND DISCLAIMER OF ALL OTHER EXPRESS WARRANTIES, GUARANTIES AND/OR REPRESENTATIONS, EXCEPT FOR THE LIMITED WARRANTY PROVIDED HEREIN, ALL OTHER EXPRESS WARRANTIES, GUARANTIES, AND/OR REPRESENTATIONS BY ALLTRADE AND OR ITS REPRESENTATIVE(S) REGARDING THE DESIGN, MANUFACTURE, PURCHASE, USE AND/OR OPERATION OF THE PRODUCT OR ANY COMPONENT THEREOF SOLD HEREUNDER, REGARDLESS OF WHETHER ANY SUCH WARRANTY, GUARANTY AND/OR REPRESENTATION, WRITTEN OR ORAL, ARISES BY OPERATION OF LAW AND/OR EQUITY AND/OR BY ANY ACT OR OMISSION OF ALLTRADE AND/OR ITS REPRESENTATIVE(S), OR THE BUYER, ARE HEREBY EXPRESSLY EXCLUDED AND DISCLAIMED BY ALLTRADE AND/OR ITS REPRESENTATIVES. PURCHASER KNOWINGLY AND WILLINGLY WAIVES ANY AND ALL SUCH WARRANTIES AND RIGHTS, CLAIMS AND/OR CAUSE OF ACTION ARISING THEREFROM OR BASED THEREON. PURCHASER'S SOLE AND EXCLUSIVE REMEDY IS AS STATED ABOVE.

EXCLUSION AND DISCLAIMER OF ALL IMPLIED WARRANTIES, INCLUDING THE IMPLIED WARRANTIES OF MERCHANTABILITY AND FITNESS FOR A PARTICULAR PURPOSE. NO WARRANTY, ORAL OR WRITTEN, OTHER THAN THE WARRANTY LISTED HEREIN IS MADE WITH REGARD TO THIS PRODUCT. ALL WARRANTIES AND/OR IMPLIED WARRANTIES, GUARANTIES AND/OR REPRESENTATIONS BY ALLTRADE AND/OR ITS REPRESENTATIVE(S) REGARDING THE DESIGN, MANUFACTURE, PURCHASE, USE AND/OR OPERATION OF THE PRODUCT OR ANY COMPONENT THEREOF SOLD HEREUNDER, REGARDLESS OF WHETHER ANY SUCH WARRANTY, GUARANTY AND/OR REPRESENTATION, WRITTEN OR ORAL, ARISES BY OPERATION OF LAW AND/OR EQUITY AND/OR BY ANY ACT OR OMISSION OF ALLTRADE AND/OR ITS REPRESENTATIVES. PURCHASER KNOWINGLY AND WILLINGLY WAIVES ANY AND ALL SUCH WARRANTIES AND RIGHTS, CLAIMS AND/OR CAUSES OF ACTION ARISING THEREFROM OR BASED THEREON.

PURCHASER'S SOLE AND EXCLUSIVE REMEDY IS AS STATED ON PRECEDING PAGES.

#### **LIMITATIONS OF LIABILITY**

IN NO EVENT SHALL ALLTRADE AND/OR ITS REPRESENTATIVE(S) BE LIABLE FOR INDIRECT, INCIDENTAL, SPECIAL AND/OR CONSEQUENTIAL DAMAGES OF ANY KIND ARISING OUT OF OR RELATED TO, DIRECTLY OR INDIRECTLY, ANY BREACH

OR PROVISION OF ANY AGREEMENT BETWEEN ALLTRADE AND/OR ITS REPRESENTATIVE(S) AND PURCHASER, AND WARRANTY HEREUNDER, AND/OR THE EXISTENCE, DESIGN, MANUFACTURE, PURCHASE, USE AND/OR OPERATION OF ANY ITEM(S) SOLD HEREUNDER EVEN IF ALLTRADE AND/OR ITS REPRESENTATIVE(S) HAS BEEN ADVISED OF THE POSSIBILITY OF ANY SUCH DAMAGES. IN NO EVENT, WHETHER BECAUSE OF A BREACH OF CONTRACT, WARRANTY, TORT (INCLUDING NEGLIGENCE) OR OTHERWISE, SHALL ALLTRADE'S AND/OR ITS REPRESENTATIVE (S) LIABILITY EXCEED THE PRICE OF THE PRODUCT. ALL LIABILITY CONNECTED WITH THE USE OF THIS PRODUCT SHALL TERMINATE UPON THE EXPIRATION OF THE WARRANTY PERIODS SPECIFIED ABOVE.

#### **LIMITATIONS ON WARRANTY DISCLAIMERS**

Some states do not allow limitations on how long an implied warranty lasts and some states do not allow the exclusion or limitation of the incidental or consequential damages, so part or all of the above limitations or exclusions may not apply to you. This warranty gives you specific legal rights, and you may also have other rights, which vary from state to state.

If your product is not covered by this warranty, please call our Customer Service Department at 1-888-278-8092 for general repair information, and charges and the location of your nearest authorized service facility.