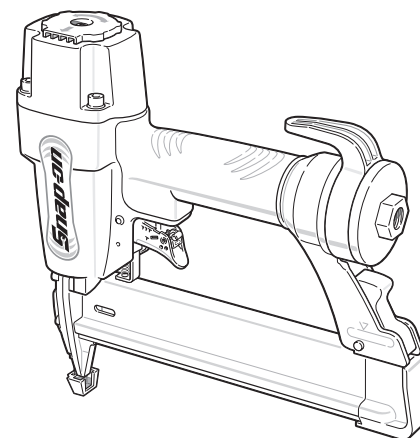


Snap-on®

MODEL #870017

18 GAUGE 1-5/8" NARROW CROWN STAPLER INSTRUCTION MANUAL



**FOR CUSTOMER SERVICE
PARA EL SERVICIO
PARA EL CONSUMIDOR
1-888-278-8092**

Printed in Taiwan

Snap-on®

SNAP-ON® IS A TRADEMARK LICENSED BY SNAP-ON® CORP., U.S.A., WHICH DOES NOT MANUFACTURE OR DISTRIBUTE THIS PRODUCT. CONSUMER INQUIRES SHOULD BE DIRECTED TO:

© COPYRIGHT 2007 ALLTRADE TOOLS, LLC.
1431 VIA PLATA
LONG BEACH, CA 90810-1462 USA

870017 - 18 Gauge 1-5/8" Stapler_Rev 9/6/07

THIS MANUAL CONTAINS IMPORTANT INFORMATION REGARDING SAFETY, OPERATION, MAINTENANCE AND STORAGE OF THIS PRODUCT. BEFORE USE, READ CAREFULLY AND UNDERSTAND ALL CAUTIONS, WARNINGS, INSTRUCTIONS AND PRODUCT LABELS. FAILURE TO DO SO COULD RESULT IN SERIOUS PERSONAL INJURY AND/OR PROPERTY DAMAGE.

IF YOU SHOULD HAVE ANY QUESTIONS OR EXPERIENCE A PROBLEM WITH YOUR SNAP-ON PRODUCT, DO NOT RETURN THIS PRODUCT TO THE STORE. PLEASE CALL OUR CUSTOMER SERVICE DEPARTMENT AT **1-888-278-8092**. BEFORE YOU CALL, HAVE THE FOLLOWING INFORMATION AVAILABLE: MODEL No., DATE PURCHASED AND STORE LOCATION.


TABLE OF CONTENTS

| | |
|--|-------|
| CONGRATULATIONS! | 2 |
| GENERAL SAFETY RULES | 2 |
| RECOGNIZE SAFETY SYMBOLS, WORDS AND LABELS | 2-3 |
| IMPORTANT INFORMATION ABOUT THIS MANUAL | 4 |
| SAFETY WARNINGS AND PRECAUTIONS | 4-7 |
| FUNCTIONAL DESCRIPTION | 7 |
| COMPONENT INSTALLATION | 8-9 |
| OPERATING THE AIR STAPLER | 9-13 |
| SELECT TRIGGER ACTUATION MODE | 9-11 |
| ADJUSTING DEPTH OF STAPLING | 11-12 |
| USING THE HOOK | 11 |
| LOADING STAPLES INTO THE AIR STAPLER | 11 |
| USING THE NO-MAR NOSEPIECE | 13 |
| REQUIRED DAILY PREPARATION | 13-14 |
| USING THE AIR STAPLER | 14-15 |
| CHANGING DIRECTION OF EXHAUST AIR | 15 |
| CLEARING JAMS | 15 |
| MAINTENANCE | 15-16 |
| MANDATORY MAINTENANCE | 17 |
| TROUBLESHOOTING | 17-18 |
| PARTS DIAGRAM | 19 |
| PARTS LIST | 20-23 |
| SPECIFICATIONS | 23 |
| 1 YEAR LIMITED WARRANTY | 23-26 |

CONGRATULATIONS!

Thanks for choosing this product. Our aim is to provide you with the highest quality products, and we want you to be totally satisfied with your product and our Customer Service. If any help or advice is needed, please contact us at 1-888-278-8092. When properly cared for, this product will give you many years of satisfaction.

GENERAL SAFETY RULES

 **WARNING** **READ AND FOLLOW ALL INSTRUCTIONS.** Failure to follow all instructions in this manual may result in severe personal injury or death. Keep this manual and refer to it for Safety Instructions, Operating Procedures, and Warranty.

SAVE THESE INSTRUCTIONS FOR FUTURE REFERENCE.

RECOGNIZE SAFETY SYMBOLS, WORDS AND LABELS

The safety instructions provided in this manual are not intended to cover all possible conditions and practices that may occur when operating, maintaining and cleaning power tools.

Always use common sense and pay particular attention to all the **DANGER**, **WARNING**, **CAUTION** and **NOTE** statements of this manual.



This is the safety alert symbol. It is used to alert you to potential personal injury hazards. Obey all safety messages that follow this symbol to avoid possible injury or death.

DANGER

DANGER indicates an imminently hazardous situation which, if not avoided, will result in death or serious injury.

WARNING

WARNING indicates a potentially hazardous situation which, if not avoided, could result in death or serious injury.

CAUTION

CAUTION indicates a potentially hazardous situation which, if not avoided, may result in minor or moderate injury.

CAUTION

CAUTION used without the safety alert symbol indicates a potentially hazardous situation which, if not avoided, may result in property damage.

NOTE

NOTE provides additional information that is useful for proper use and maintenance of this tool. If a **NOTE** is indicated make sure it is fully understood.

In addition to **SAFETY ALERTS** listed above, there could also be numerous symbols alerting the operator that specific safety equipment is required to safely operate this tool. Learn these **SAFETY SYMBOLS** as well as the **SAFETY ALERTS** to prevent injury to the operator and to bystanders.



READ OPERATING INSTRUCTIONS: Read and understand tool labels, safety warnings and precautions in this manual before operating the tool. Failure to follow **WARNINGS** could result in serious injury or even death to the operator or bystanders.



WEAR APPROVED EYE PROTECTION: Safety glasses must conform to the requirements of American National Standards Institute (ANSI) Z87.1 and provide protection against flying particles from both front and side.



WEAR HEARING PROTECTORS: Hearing protectors should be worn to protect the ears from loud exhaust noise produced by the air tools.



USE ONLY CLEAN, DRY COMPRESSED AIR: Never use oxygen, combustible gases and any other bottled gas to operate air tools. Using these other sources can cause the air tool to explode.



NEVER POINT THE AIR STAPLER AT YOURSELF OR OTHERS: Fasteners are under extreme pressure and can cause severe injury or even death if misused.



DO NOT EXCEED 120 psi (8.43 kg/cm²G). Using excessive pressure from the power source can cause the air stapler to explode resulting in severe injury or even death to the operator or bystanders.

IMPORTANT INFORMATION ABOUT THIS MANUAL

Improper maintenance and operation are responsible for the majority of accidents involving air staplers. The largest portion of these could be prevented by recognizing the basic safety rules and precautions. Most accidents can be avoided if the operator recognizes a potentially hazardous situation before it happens and by observing appropriate safety rules and procedures as outlined in this manual.

Basic safety precautions are outlined in the **SAFETY** portion of this manual and throughout text in this manual where a potential hazard might occur.

Hazards that **MUST** be avoided to prevent serious injury follow headers marked **DANGER** or **WARNING**. These same precautions are placed as labels on the tool itself.

NEVER use this stapler for applications that are **NOT** specified in this manual.

SAFETY WARNINGS AND PRECAUTIONS

DANGER

Do not operate air stapler anywhere fastener may contact hidden electrical wiring. Contact with a "live" wire will make all metal parts of the air stapler "live." This can result in severe electrical shock, severe burns or death to the operator. Contact a qualified electrical contractor to ensure a safe working environment exists.

Be aware of conduits or gas pipes. Striking a gas pipe could result in an explosion causing serious injuries or even death to the operator or bystanders.

Be aware of what is behind the work piece. A fastener could travel through the work piece and out the other side, striking a bystander resulting in serious injury or even death.

Do not operate the air stapler in the presence of flammable liquids, such as gasoline, thinner, paint, or adhesives, gases or dust. Sparks created by the tool can cause flammable materials to ignite or explode. Failure to comply with this warning could result in serious injury or even death to the operator.

Keep bystanders, children and visitors away from area where air stapler is being used. Distractions can result in severe injury or even death to anyone who inadvertently gets in the way of stapling operations.



Do not use oxygen, combustible or bottled gases (such as carbon dioxide or nitrogen) as a power source for the air stapler. The tool will explode resulting in severe injury or even death to the operator and bystanders. Use only compressed air from a source as outlined in this manual.

⚠ WARNING



Do not connect air stapler to an air source capable of generating more than 200 psi (14.06 kg/cm²G). Over-pressurizing the air stapler will result in bursting, abnormal operation or breakage of the tool. Use only clean, dry, regulated compressed air at levels specified on the tool. Failure to comply can cause severe injury or death to the operator or bystanders.

Do not attempt to fasten the trigger in the "ON" position. This could lead to an accidental discharge of the air stapler. Do not operate the air stapler if any portion of the tool's operating controls are inoperable, disconnected, altered in any way or not in proper working order. Failure to comply with this warning could result in serious injury or even death to the operator or other bystanders.



All air compressors must comply with the requirements of ANSI b19.3. Pressure regulators must be used to limit air pressure where air supply pressure exceeds the tool's rated operating pressure.

Do not carry the air stapler with a finger on the trigger. This could lead to an accidental discharge of the air stapler. Do not press the trigger of the air stapler unless it is pressed firmly against the work piece. Do not point the air stapler at yourself or in the direction of another person. Failure to comply with this warning could result in serious injury or even death to the operator or other bystanders.

Do not tamper with the work piece contact. The work piece contact prevents accidental discharge of the air stapler and should never be removed or compromised in any way. Failure to comply with this warning could result in serious injury or even death to the operator or other bystanders.

Always disconnect air hose and remove any remaining staples:

1. When air stapler is left unattended.
2. Before performing any maintenance or repair on the air stapler.
3. Before attempting to clear a jam in the air stapler.
4. Before moving the air stapler to a new location.

Always check the overall condition of the air stapler before using. Check for and tighten any loose screws. Ensure all safety systems are in working condition before using the air stapler. The air stapler must not operate if only the trigger is pulled or if only the work piece contact is pressed against the work piece. The air stapler must only be used if both the trigger and work piece contact work at the same time.

⚠ WARNING



Always use hearing protection to protect your ears against hearing loss due to exhaust noise. Always wear proper safety glasses to prevent injuries to the eyes from fragments of the work piece, defective staples or other debris caused by using the air stapler. All safety glasses must have side shields and should conform to the requirements of the American National Standards Institute (ANSI) z87.1. Failure to comply with this warning could lead to serious or permanent damage to the ears as well as serious damage or permanent blindness in the eyes.

Never carry the air stapler by the air hose. A sudden disconnection of the air hose could cause the air stapler to remain charged and an accidental firing could occur. Failure to comply with this warning could lead to serious injury to the operator or bystanders.

Always disconnect the power source and ensure the tool is not charged before loading fasteners. Failure to comply with this warning could cause severe injury or death to the operator, bystanders and severe damage to the air stapler.

Never use a non-relieving air coupler with the air stapler. Always use couplers that release any built-up charge in the air stapler's firing mechanism. A non-relieving air coupler can allow the air stapler to discharge a fastener while the tool is disconnected from the power source. Failure to comply with this warning can result in serious or permanent injury or even death to the operator or to bystanders.

Do not drive staples on top of other staples. Do not operate the air stapler at too steep of an angle. Staples can ricochet. Failure to comply with this warning can result in serious injury or even death to the operator or bystanders.

Do not modify the air stapler in any way. Unauthorized alterations can jeopardize safety in the tool's operation. Failure to follow this precaution can result in serious injury or even death to the operator or bystanders.

On rooftops and other high locations, always move forward as you use the air stapler. You can easily lose your footing if moving backwards. When stapling against a perpendicular surface, staple from the top down. This causes less fatigue and reduces the chances of accidents.

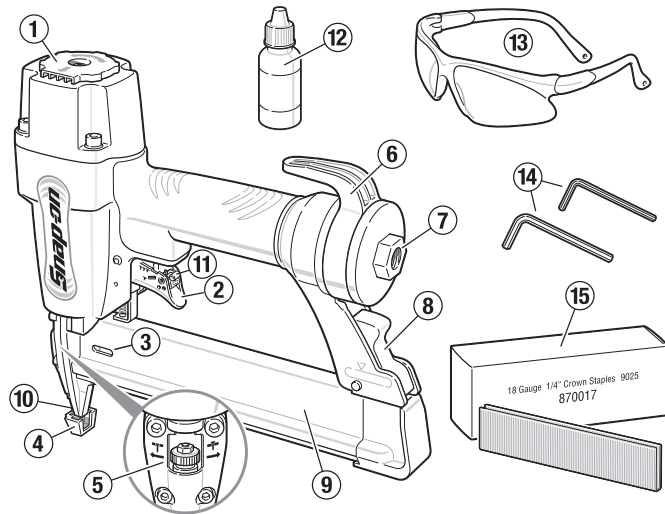
Ensure the work area is sufficiently illuminated to operate power tools. The work area should be clear and free of litter.

⚠ WARNING

Thoroughly clean and maintain the air stapler after every use. Lubricate moving parts to prevent rust and minimize friction related wear. Wipe down the entire tool and remove all dust from the moving parts. Properly store the air stapler in a suitable case to keep it ready for the next job.

All maintenance and repairs should be performed by an authorized repair facility. Call 1-888-278-8092 to obtain a list of repair facilities in your area or to make arrangements to return the tool for service.

FUNCTIONAL DESCRIPTION



CONTROLS AND COMPONENTS:

- 1. Exhaust Cover
- 2. Trigger
- 3. Empty Magazine Indicator
- 4. No-mar Nosepiece
- 5. Staple Depth Adjuster
- 6. Hanging Hook
- 7. Air Inlet
- 8. Staple Magazine Lever
- 9. Staple Magazine Cover

10. Work Piece Contact

11. Trigger Actuation Mode Selector

ACCESSORIES:

- 12. Lubricant
- 13. Safety Glasses
- 14. Hex Wrenches (2)
- 15. 9025 1/4" Crown Staples

COMPONENT INSTALLATION

⚠ WARNING

Never use a non-relieving air coupler with the air stapler.

Always use couplers that release any built-up charge in the air stapler's firing mechanism. A non-relieving air coupler can allow the air stapler to discharge a fastener while the tool is disconnected from the power source. Failure to comply with this warning can result in serious or permanent injury or even death to the operator or to bystanders.

When selecting an air compressor, it must comply with the requirements of the American National Safety Institute - ANSI B19.3.

Choose an air compressor that can supply more than the required air pressure to ensure optimum efficiency. Always use clean, dry compressed air with a maximum pressure of 200 psi. Use a pressure regulator and set the pressure between 60 – 115 psi. (4.0 – 8.0 kg/cm²G). Before each use, check the pressure regulator to ensure it is functioning within the proper pressure range.

⚠ WARNING

Using an air pressure of more than 120 psi can cause the air stapler to malfunction or possibly explode causing severe injury or property damage.



SELECTING A PROPER AIR HOSE

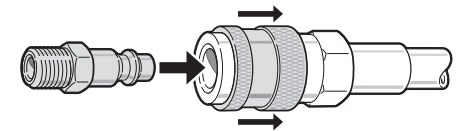
Use an air hose with the largest diameter and shortest length possible to ensure continuous, efficient stapling operations. Using an air pressure of 70 psi (5.0 kg/cm²G), an air hose with an inside diameter of 1/4" (6.5 mm) or greater and a hose length of less than 6.6 ft (20 m), it is recommended that a 0.5 second interval be allowed between each stapling. Air supply hoses shall have a minimum working pressure of 150 psi (10.7 kg/cm²G) or 150% of the maximum pressure produced by the compressor or whichever is higher.

⚠ CAUTION

Low air output by the compressor or a longer hose with a smaller inside diameter in relation to the stapling frequency may decrease the driving capability of the air stapler.

SELECTING A QUICK DISCONNECT

- 1. Remove the plastic protective plug from the tool's air inlet.
- 2. Insert a 1/4" NPT male quick disconnect into the air inlet. Install the female portion to the air hose.



To improve the connection between the quick disconnect and air stapler, and to help prevent oxidation, apply PTFE tape or joint compound to the connector threads before insertion.

3. Snap the air hose onto the quick disconnect on the air stapler. Check for air leaks.

LUBRICATION

To ensure maximum performance, it is recommended to install an air set (oiler, regulator, and air filter) as close as possible to the air stapler. Adjust the oiler so that approximately one drop of oil will be released for every 50 staples.

If an air set is not used or is unavailable, oil the tool using pneumatic tool oil by placing 2 or 3 drops into the air inlet. This should be done before and after use. For proper lubrication, the tool must be fired several times after the oil is introduced to the filter.

OPERATING THE AIR STAPLER

⚠ WARNING



Always use hearing protection to protect your ears against hearing loss due to exhaust noise. Always wear proper safety glasses to prevent injuries to the eyes from fragments of the work piece, defective staples or other debris caused by using the air stapler. All safety glasses must have side shields and should conform to the requirements of the American National Standards Institute (ANSI) z87.1. Failure to comply with this warning could lead to serious or permanent damage to the ears as well as serious damage or permanent blindness in the eyes.

Always disconnect the air hose before making adjustments or checking the functionality of the air stapler.

SELECT TRIGGER ACTUATION MODE

The air stapler is equipped with a selectable trigger. This allows the selection of Single Sequential Actuation Mode or Contact Actuation Mode.

OPERATION IN SINGLE SEQUENTIAL ACTUATION MODE

To select the Single Sequential Actuation Mode (see Figure 1):

1. Press and hold the red Actuation Selector embedded in the trigger.
2. Rotate Actuation Selector down to the Single Sequential Actuation (T).
3. Release Actuation Selector, ensuring locking tab is fully seated in the slot.

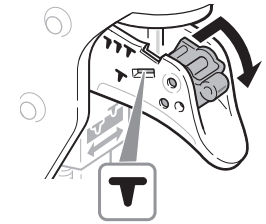


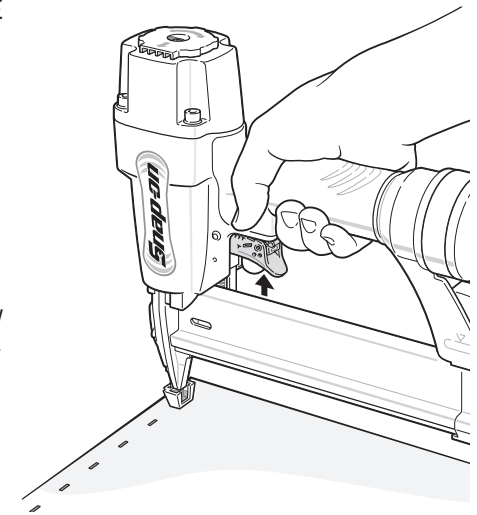
Figure 1

⚠ CAUTION

Ensure selector has locked into position. Ensure actuation process is fully understood before attempting to use air stapler.

TO USE THE AIR STAPLER IN SINGLE SEQUENTIAL ACTUATION MODE:

1. Firmly grip air stapler handle.
2. Position air stapler work piece contact on work piece surface.
3. Push air stapler against work piece compressing work piece contact.
4. Pull trigger on air stapler to drive staple. The air stapler will recoil away from the work piece as staple is driven.
5. Remove finger from trigger and lift air stapler away from surface of work piece.



OPERATION IN CONTACT ACTUATION MODE

⚠ WARNING

When using contact actuation mode, be careful of unintentional double fires resulting from tool recoil. Unwanted fasteners may be driven if the work piece contact is allowed to accidentally re-contact the work piece.

To select Contact Sequential Actuation Mode (see Figure 2):

1. Press and hold Actuation Selector embedded in the trigger.
2. Rotate Actuation Selector up to the Contact Sequential Actuation (TTT).
3. Release Actuation Selector, ensuring locking tab is fully seated in the slot.

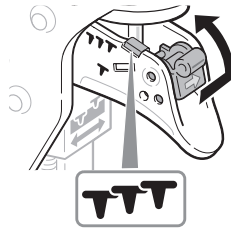


Figure 2

CAUTION

Ensure selector has locked into position. Ensure actuation process is fully understood before attempting to use air stapler.

TO USE THE AIR STAPLER IN CONTACT ACTUATION MODE:

1. Firmly grip air stapler handle.
2. Pull and hold the air stapler trigger.
3. Push air stapler against work piece compressing work piece contact.
4. The air stapler will drive staple upon contact. The air stapler will recoil away from the work piece as staple is driven.

ADJUSTING DEPTH OF STAPLING

WARNING

Be aware of material thickness when using stapler. A protruding staple may cause injury.

Adjust the depth of stapling by turning the adjustment knob (Figure 3, Item 1) to the left (A) for the deepest setting and to the right (B) for the shallowest setting. To increase the depth of the staples, when the adjustment knob is already set to its highest setting, increase the air pressure. To decrease the depth of staples when the adjustment knob is already set to its lowest setting, decrease the air pressure. Should staples be driven too deep even when the adjustment knob is set at its lowest setting, decrease the air pressure. In general, the air stapler will have a longer service life when the adjustment knob is set at a lower setting causing less wear and tear on the driving mechanism.

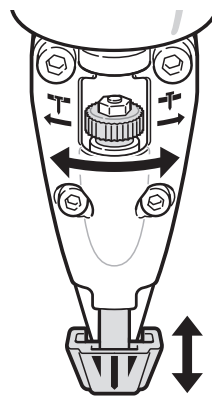


Figure 3

WARNING

Always disconnect the air stapler before making any adjustments to the staple depth knob.

USING THE HOOK

WARNING

Always disconnect the air hose before hanging the air stapler with the hook. NEVER hook the air stapler in a high location or on an unstable platform.

LOADING STAPLES INTO THE AIR STAPLER

WARNING

Always disconnect the air hose from the stapler before adding or removing staples to the air stapler. NEVER use deformed staples or staple strip. Failure to observe this precaution can result in poor staple feeding and/or jams in the feeding mechanism.

To load staples in air stapler, press magazine release button on back of magazine (Figure 4). Turn stapler over so bottom of magazine is facing up. Pull on back of magazine and slide magazine open (Figure 4). Insert staple strip in magazine with staple points facing you (so that points will face down when stapler is in operating position). Slide magazine closed until it firmly latches in place.

To remove staples from stapler, press magazine release button on back of magazine (Figure 4). Turn stapler over so bottom of magazine is facing up. Pull on back of magazine and slide magazine open (Figure 4). Remove staple strip from magazine.

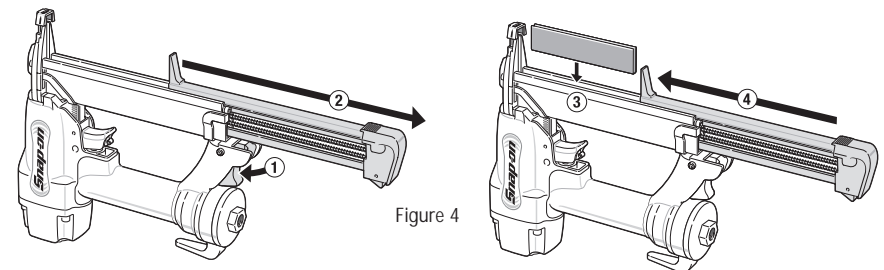


Figure 4

USING THE NO-MAR NOSEPIECE

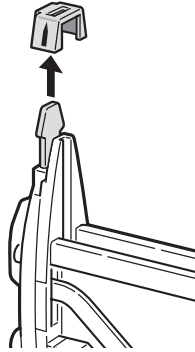
⚠ WARNING

Always disconnect the air hose before attaching the no-mar nosepiece.

In order to prevent the surface of the work piece from being scratched or damaged, use the no-mar nosepiece. Install no-mar nosepiece by pressing it into place on the nose frame. See Figure 5.

Store the no-mar nosepiece in place when not being used.

Figure 5



⚠ WARNING

Never use a non-relieving air coupler with the air stapler. Always use couplers that release any built up charge in the air stapler's firing mechanism. A non-relieving air coupler can allow the air stapler to discharge a fastener while the tool is disconnected from the power source. Failure to comply with this warning can result in serious or permanent injury or even death to the operator or to bystanders.

When the air hose is disconnected, the pressure reservoir in the air stapler will discharge removing any built up air inside the tool.

REQUIRED DAILY PREPARATION

The following steps should be performed on a daily basis to ensure the air stapler is operating correctly:

1. Disconnect air supply from stapler and remove fastener strip.
2. Check all screws, nuts and pins and ensure all are tight.
3. Press the pusher release button and slide back the pusher assembly (Overriding the reload indicator). Press the work piece contact against a work piece ensuring smooth movement.
4. With work piece contact against the work piece, pull trigger. The trigger must operate smoothly.
5. Connect air supply and set regulator for 70 psi. DO NOT load a fastener strip.

6. Select Single Sequential Actuation Operation. Check for leaks. Without pulling the trigger, press the work piece contact against the work piece. The tool MUST NOT operate. Holding the tool away from the work piece, pull trigger and hold for 5 seconds. The tool MUST NOT operate. Repeat steps several times. Without pulling trigger, press stapler against work piece and pull trigger. The tool MUST operate. Release trigger. Driver MUST move up.
7. Select Contact Actuation Operation. Holding stapler away from work piece, pull trigger. The tool MUST NOT operate. While still pulling trigger, press the stapler against work piece. The tool MUST operate.
8. If Steps 1 through 7 function properly, prepare the tool for use. Select operation mode and load fasteners.
9. Set the required depth of drive.
10. Repeat these steps daily. Test again if the stapler is dropped, jammed, etc.

USING THE AIR STAPLER

To drive a staple, place the work piece contact of the air stapler against the work piece and pull the trigger. See Figure 6.

To avoid any unexpected staplings, perform the operation as follows:

1. Avoid placing the work piece contact against the work piece with excessive force.
2. Pull the trigger fully and hold it in the fired position for 1 to 2 seconds before releasing the trigger. This will give the air stapler time to completely expend the previous staple and build enough pressure for the next staple.

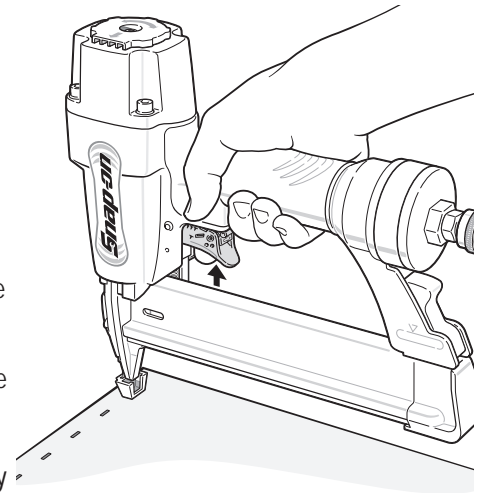


Figure 6

⚠ WARNING

DO NOT hold the trigger in a half-pulled position. This could cause an unexpected stapling to occur if the work piece contact is permitted to re-contact the work piece. Failure to comply could result in damage to work piece.

CHANGING DIRECTION OF EXHAUST AIR

The direction of exhaust air on the air stapler can be directed 360° degrees by placing hand on exhaust cover and turning. See Figure 7.

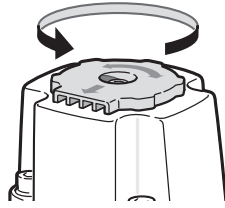


Figure 7

CLEARING JAMS

Typically, jams are caused when a fastener or a fastener fragment becomes wedged between the driver blade and staple guide. Using the wrong fastener can also cause jams.

TO CLEAR A JAM:

1. Disconnect the air supply and remove the stapler strip. Leave the magazine open.
2. Remove all debris that has built up during operation.
3. Remove jammed fastener. If fastener is difficult to grasp, use needle nose pliers instead of fingers.
4. If necessary, insert a flat-blade screwdriver so that it touches the tip of the driver blade. See Figure 8. Tap the screwdriver with a hammer. The screwdriver will push the driver blade back, freeing the jam.
5. Close the jam-clearing door securely.

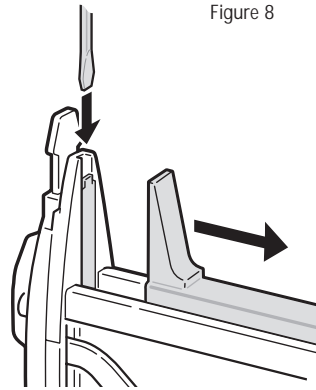


Figure 8

MAINTENANCE

STORAGE OF STAPLES

Always handle staple strips and their box very carefully. If the staple strips have been mishandled, they may be out of shape or have breaks in the connecting strips. This will cause the staples to feed poorly and possibly result in misfiring or jams in the air stapler.

Avoid storing staples in a very humid or hot environment or placing in direct sunlight.

OVERALL MAINTENANCE OF AIR STAPLER

WARNING Always disconnect the air hose from air stapler before attempting any type of maintenance or visual inspection of tool.

Always visually inspect air stapler before every use. Check on the overall condition and for any loose screws. Tighten any screws that have come loose. See Figure 9.

Visually inspect the work piece contact and trigger to ensure there is free movement. See Figure 10.

When the tool is not going to be used for an extended period, wipe off all dust and debris that have collected on it. Tighten all loose screws. Lubricate the firing mechanism with pneumatic tool oil. See page 9 for Lubrication.

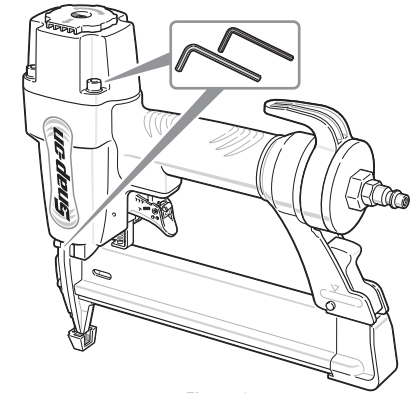


Figure 9

Store the air stapler in a safe location or in suitable carrying case. It is recommended that the air stapler be secured in a locked location to prevent unauthorized usage.

Avoid exposure to direct sunlight and/or locations with high humidity and heat.

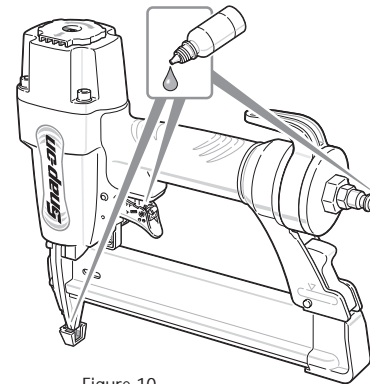


Figure 10

WARNING Remove the air stapler from use and schedule to have it repaired at an authorized repair facility if the work piece contact is binding or not moving freely. Do not attempt to repair the air stapler. Failure to comply can result in malfunction of the tool and severe injury to the operator or any bystanders.

MANDATORY MAINTENANCE

⚠ WARNING

All maintenance and repairs should be performed by an authorized repair facility. Call 1-888-278-8092 to obtain a list of repair facilities in your area or to make arrangements to return the tool for service.

| ACTION | REASON | OPERATION |
|---|--|---|
| Clean magazine and feeder mechanism. | Prevents air stapler from jamming. | Use compressed air and clean daily. |
| Inspect and ensure work piece contact operates properly. | Ensures operator safety and keeps air stapler working efficiently. | Use compressed air and clean daily. |
| Lubricate air stapler after every use using pneumatic tool oil. | Extends life of air stapler. | Apply 2 – 3 drops of pneumatic tool oil to air stapler air inlet after every use. |

TROUBLESHOOTING

Most minor problems can be resolved quickly and easily using the troubleshooting table below. For problems that cannot be solved, contact Customer Service (toll free) at 1-888-278-8092.

| PROBLEM | POSSIBLE CAUSE | SOLUTION |
|--|---|---|
| Stapler operates, but no staple is driven. | Check for jammed staple . Inspect staple feeder mechanism. Ensure correct staples are being used. | Clear jammed staple. Clean and lubricate staple feeder. Use ONLY recommend- ed staples. |

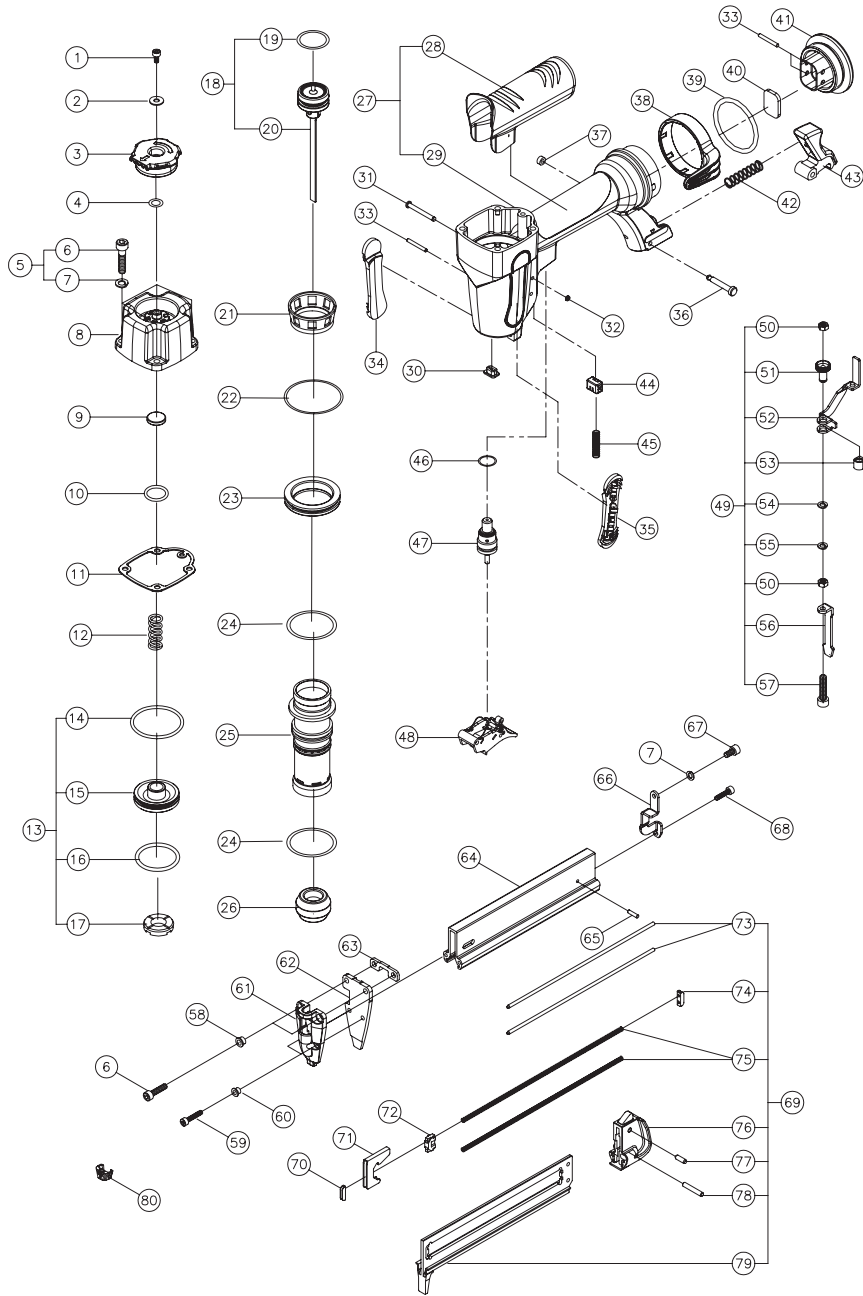
PROBLEM

POSSIBLE CAUSE

SOLUTION

| | | |
|--|---|---|
| Weak drive. Slow to cycle between staplings. | Ensure proper air pressure is being used. Inspect for worn driver blade. Inspect piston O-ring for wear or damage. | Increase air pressure, Do not exceed 120 psig (8.3 bars, 8.5 kgf/cm2) Contact Customer Service. |
| Staples driven too deep. | Check air pressure. | Reduce air pressure. |
| Air stapler feeds intermittently or skips staples. | Ensure correct staples are being used. Inspect staple feeder mechanism. Piston O-ring damaged or worn Staple feeder worn or damaged. | Use ONLY recommend- ed staples. Clean and lubricate staple feeder. Replace ribbon spring. Use recommended pneumatic tool oil. Contact Customer Service. Replace staple feeder. |
| Staples jam or driven staple is bent. | Ensure correct staples are being used. Inspect for worn driver blade. Staple feeder worn or damaged. | Use ONLY recommend- ed staples. Contact Customer Service. Replace staple feeder. |
| Drives staples properly during normal stapling- operations, but fails to drive staples fully at faster operating speeds. | Check inside diameter of air hose. | Switch to air hose with larger inside diameter. |

PARTS DIAGRAM



PARTS LIST

| ITEM NO. | PART NO. | DESCRIPTION |
|----------|------------|-------------------------|
| 1 | A0000-1211 | Nylon Screw M4*8 |
| 2 | A0005-0691 | Washer 12*1 |
| 3 | A0304-0651 | Exhaust Cover |
| 4 | A0200-2471 | O-Ring 7.59*2.62 |
| 5 | B0000-0051 | Screw Set M5*20 |
| 6 | A0000-0091 | Screw M5*20 |
| 7 | A0005-0031 | Washer #5*1.21 |
| 8 | A0301-1551 | Cap, Top |
| 9 | A0311-0451 | Seal, Air |
| 10 | A0200-0221 | O-Ring 15*2.5 |
| 11 | A0205-0651 | Gasket |
| 12 | A0100-0631 | Spring |
| 13 | K0300-2221 | Firing Valve Piston Set |
| 14 | A0200-0711 | O-Ring 33.5*2.5 |
| 15 | A0308-0341 | Firing Valve Piston |
| 16 | A0200-0601 | O-Ring 26.59*2.95 |
| 17 | A0313-0041 | Piston Stopper |
| 18 | K0600-4281 | Piston Unit |
| 19 | A0200-1281 | O-Ring 22.4*3.3 |
| 20 | B0600-4261 | Piston Set |
| 21 | A0305-0081 | Sleeve Retainer |
| 22 | A0200-0271 | O-Ring 44.8*2.6 |
| 23 | A0800-0391 | Spacer |
| 24 | A0200-0071 | O-Ring 31*2.5 |

| ITEM NO. | PART NO. | DESCRIPTION |
|----------|------------|-----------------------------|
| 25 | A0303-0941 | Sleeve, Cylinder |
| 26 | A0309-0741 | Bumper |
| 27 | K0400-0601 | Body and Handle Grip |
| 28 | A0204-1661 | Grip |
| 29 | A0401-1951 | Body |
| 30 | A0310-0751 | Nozzle |
| 31 | A0006-0821 | Trigger Pin |
| 32 | A0005-0311 | Pin Retainer 5.5*2 |
| 33 | A0011-0161 | Spring Pin 3*24 |
| 34 | A0313-0631 | Main Body Bumper L(Snap-on) |
| 35 | A0313-0641 | Main Body Bumper R(Snap-on) |
| 36 | A0006-0411 | Pin |
| 37 | A0005-0291 | Pin Retainer 6*2.9 |
| 38 | A0316-0331 | Belt Hook |
| 39 | A0200-2851 | O-Ring 38*3.5W |
| 40 | A0203-0191 | Filter |
| 41 | A0306-1181 | Tail Cover |
| 42 | A0101-0191 | Spring |
| 43 | A0709-0301 | Click Lever |
| 44 | A0712-0341 | Safety Guide Plate |
| 45 | A0100-0811 | Spring |
| 46 | A0200-1091 | O-Ring 11*1.05 |
| 47 | K0500-1381 | Trigger Valve Set |
| 48 | K0500-1491 | Trigger Set |
| 49 | K0700-2711 | Release Catch |

| ITEM NO. | PART NO. | DESCRIPTION |
|----------|------------|-------------------------|
| 50 | A0004-0011 | Nylon Nut M4 |
| 51 | A0004-0212 | Safety Adjustment Wheel |
| 52 | A0711-1061 | Release Catch (B) |
| 53 | A0710-0591 | Spacer |
| 54 | A0005-0061 | E-Ring 5 |
| 55 | A0005-1251 | Washer #7*4*0.3t |
| 56 | A0711-1051 | Release Catch (A) |
| 57 | A0000-0861 | Screw M4*30 |
| 58 | A07100411 | Spacer |
| 59 | A0000-0041 | Screw M4*20 |
| 60 | A0710-0401 | Spacer |
| 61 | A0712-0491 | Release Catch Cover |
| 62 | A0801-1821 | Driver Guide |
| 63 | A0800-0491 | Spacer |
| 64 | A0700-0982 | Upper Magazine |
| 65 | A0011-0131 | Spring Pin 3*10 |
| 66 | A0706-0801 | Support |
| 67 | A000-0241 | Screw M5*14 |
| 68 | A0000-0521 | Nylon Screw M4*12 |
| 69 | K0700-5781 | Magazine Set |
| 70 | A0719-0211 | Feeder Shoe Stop |
| 71 | A0707-0631 | Feeder Shoe |
| 72 | A0719-1221 | Spring Holder |
| 73 | A0708-0211 | Spring Guide |
| 74 | A0719-0221 | Spring Retainer |

| ITEM NO. | PART NO. | DESCRIPTION |
|----------|------------|-----------------------|
| 75 | A0100-0641 | Pusher Spring |
| 76 | A0718-0191 | Tail Cover |
| 77 | A0011-0051 | Outer Spring Pin 4*10 |
| 78 | A0011-0291 | Spring Pin 4*24 |
| 79 | B0700-2601 | Staple Tank Assembly |
| 80 | A0204-1471 | No-Mar Pad |

SPECIFICATIONS

| | |
|-----------------------|---|
| MODEL NUMBER | 870017 |
| AIR PRESSURE | 60-115 PSIG (4.0- 8.0 kg/cm ² G) |
| STAPLE LENGTH | 5/8" (15 mm) - 2" (50 mm) |
| STAPLE CAPACITY | 110 STAPLES |
| MINIMUM HOSE DIAMETER | 1/4" (6.5 mm) |
| NET WEIGHT | 2.1 LBS. (1 KG) |

1 YEAR LIMITED WARRANTY

Express and Exclusive Limited Warranty to Original Retail Buyer

Alltrade Tools LLC (hereinafter "Alltrade") expressly warrants to the original retail purchaser of the accompanying SNAP-ON™ portable air tool and no one else all parts of the product (except those parts referred to below which are specifically excluded from such warranty (see Exclusions) to be free from defects in materials and workmanship for a period of one year from the original date of purchase.

The date of purchase shall be the date of shipment to the original purchaser, or the date the original purchaser took possession, custody, or control of the product, whichever occurred first. This warranty shall be null and void if the product or any component thereof is modified or altered. This warranty does not apply to any other product and/or component thereof manufactured or distributed by Alltrade, and does not apply to products and/or components thereof designed, manufactured and/or assembled by others, for which Alltrade makes no warranties whatsoever.

THERE ARE NO WARRANTIES, WHICH EXTEND BEYOND THE DESCRIPTION ON THE FACE HEREOF.

WARRANTY PERFORMANCE

By purchasing this product, purchaser expressly acknowledges and agrees that their sole and exclusive remedy under this warranty shall be strictly limited to the repair or replacement of any covered nonconforming items or parts thereof provided that any such nonconforming item and/or part is promptly returned to an Authorized Service Center within the applicable warranty period, with a written request by purchaser to repair and/or replace the nonconforming item and/or part. We recommend that you keep the original product packaging in the event you need to ship the unit. We suggest the package be insured against loss or in transit damage. When sending your product, include your name, address, phone number, e-mail address, dated proof of purchase (or copy) and a statement about the nature of the problem. Warranty coverage is conditioned upon purchaser furnishing Alltrade with adequate written proof that they are the original purchaser and of the original purchase date. Parts returned, freight prepaid and insured, to Alltrade's facility (see above address) will be inspected and, at Alltrade's option, repaired and/or replaced free of charge if it is found to be defective and subject to warranty. Alltrade retains the sole discretion to determine whether any item or part is nonconforming and, if so, whether the item and/or part will be repaired and/or replaced. If the unit is repaired, new or reconditioned replacement parts may be used. If Alltrade chooses to replace the product, it may replace it with a new or reconditioned of the same or comparable design. The repaired or replaced unit will be warranted under the terms of the remainder of the one year warranty period; covered defective parts not subject to normal wear and tear or other exclusions will be repaired or replaced, at Alltrade's option. During the warranty period, Alltrade will be responsible for the return shipping charges. Alltrade's repair and/or replacement of any nonconforming item and/or part thereof shall constitute fulfillment of all obligations to the purchaser. Alltrade shall not be responsible or liable for any expense, including freight charges, or repairs made outside Alltrade's facility or an Alltrade designated service, unless expressly agreed to by Alltrade in writing. Under no circumstances shall Alltrade bear any responsibility for loss of the unit, loss of time or rental, inconvenience, commercial loss, or consequential damages.

For the location of an Authorized Service Center nearest you, please call customer service at 1-888-278-8092.

EXCLUSIONS

Air nailers and staplers need periodic maintenance to remain in proper operating condition. Normal wear parts (o-rings and driver blades) shall be warranted to the original purchaser to be free from defects in materials and workmanship for a period of 90 days from the original date of purchase.

This warranty does not cover parts damaged due to normal wear, abnormal conditions, misapplication, misuse, abuse, accidents, operation, improper storage, or freight damage. Parts damaged or worn by operation in dusty environments are not warranted. Failure to follow recommended operating and maintenance procedures also voids warranty.

DAMAGE TO THE PRODUCT RESULTING FROM TAMPERING, ACCIDENT, ABUSE, NEGLIGENCE, FAILURE TO FOLLOW INSTRUCTIONS, UNAUTHORIZED REPAIRS OR ALTERATIONS, DAMAGE WHILE IN TRANSIT TO OUR SERVICE FACILITY, USE OF UNAPPROVED OR IMPROPER ATTACHMENTS OR ACCESSORIES, OR OTHER CAUSES UNRELATED TO PROBLEMS WITH MATERIAL OR WORKMANSHIP ARE NOT COVERED BY THIS WARRANTY.

Alltrade will not be liable for the following: labor charges, loss or damage resulting from improper operation, maintenance or repairs made by other persons; pre-delivery services such as assembly, oil and lubricants, and adjustment; maintenance services that are normally required to maintain the product.

The use of other than genuine Snap-On™ Repair Parts will VOID the warranty.

WARRANTY DISCLAIMERS

EXCLUSION AND DISCLAIMER OF ALL OTHER EXPRESS WARRANTIES, GUARANTIES AND/OR REPRESENTATIONS, EXCEPT FOR THE LIMITED WARRANTY PROVIDED HEREIN, ALL OTHER EXPRESS WARRANTIES, GUARANTIES, AND/OR REPRESENTATIONS BY ALLTRADE AND OR ITS REPRESENTATIVE(S) REGARDING THE DESIGN, MANUFACTURE, PURCHASE, USE AND/OR OPERATION OF THE PRODUCT OR ANY COMPONENT THEREOF SOLD HEREUNDER, REGARDLESS OF WHETHER ANY SUCH WARRANTY, GUARANTY AND/OR REPRESENTATION, WRITTEN OR ORAL, ARISES BY OPERATION OF LAW AND/OR EQUITY AND/OR BY ANY ACT OR OMISSION OF ALLTRADE AND/OR ITS REPRESENTATIVE(S), OR THE BUYER, ARE HEREBY EXPRESSLY EXCLUDED AND DISCLAIMED BY ALLTRADE AND/OR ITS REPRESENTATIVES. PURCHASER KNOWINGLY AND WILLINGLY WAIVES ANY AND ALL SUCH WARRANTIES AND RIGHTS, CLAIMS AND/OR CAUSE OF ACTION ARISING THEREFROM OR BASED THEREON. PURCHASER'S SOLE AND EXCLUSIVE REMEDY IS AS STATED ABOVE.

EXCLUSION AND DISCLAIMER OF ALL IMPLIED WARRANTIES, INCLUDING THE IMPLIED WARRANTIES OF MERCHANTABILITY AND FITNESS FOR A PARTICULAR PURPOSE. NO WARRANTY, ORAL OR WRITTEN, OTHER THAN THE WARRANTY LISTED HEREIN IS MADE WITH REGARD TO THIS PRODUCT. ALL WARRANTIES AND/OR IMPLIED WARRANTIES, GUARANTIES AND/OR REPRESENTATIONS BY ALLTRADE AND/OR ITS REPRESENTATIVE(S) REGARDING THE DESIGN, MANUFACTURE, PURCHASE, USE AND/OR OPERATION OF THE PRODUCT OR ANY COMPONENT THEREOF SOLD HEREUNDER, REGARDLESS OF WHETHER ANY SUCH WARRANTY, GUARANTY AND/OR REPRESENTATION, WRITTEN OR ORAL, ARISES

BY OPERATION OF LAW AND/OR EQUITY AND/OR BY ANY ACT OR OMISSION OF ALLTRADE AND/OR ITS REPRESENTATIVES. PURCHASER KNOWINGLY AND WILLINGLY WAIVES ANY AND ALL SUCH WARRANTIES AND RIGHTS, CLAIMS AND/OR CAUSES OF ACTION ARISING THEREFROM OR BASED THEREON.

PURCHASER'S SOLE AND EXCLUSIVE REMEDY IS AS STATED ON PRECEDING PAGES.

LIMITATIONS OF LIABILITY

IN NO EVENT SHALL ALLTRADE AND/OR ITS REPRESENTATIVE(S) BE LIABLE FOR INDIRECT, INCIDENTAL, SPECIAL AND/OR CONSEQUENTIAL DAMAGES OF ANY KIND ARISING OUT OF OR RELATED TO, DIRECTLY OR INDIRECTLY, ANY BREACH OR PROVISION OF ANY AGREEMENT BETWEEN ALLTRADE AND/OR ITS REPRESENTATIVE(S) AND PURCHASER, AND WARRANTY HEREUNDER, AND/OR THE EXISTENCE, DESIGN, MANUFACTURE, PURCHASE, USE AND/OR OPERATION OF ANY ITEM(S) SOLD HEREUNDER EVEN IF ALLTRADE AND/OR ITS REPRESENTATIVE(S) HAS BEEN ADVISED OF THE POSSIBILITY OF ANY SUCH DAMAGES. IN NO EVENT, WHETHER BECAUSE OF A BREACH OF CONTRACT, WARRANTY, TORT (INCLUDING NEGLIGENCE) OR OTHERWISE, SHALL ALLTRADE'S AND/OR ITS REPRESENTATIVE (S) LIABILITY EXCEED THE PRICE OF THE PRODUCT. ALL LIABILITY CONNECTED WITH THE USE OF THIS PRODUCT SHALL TERMINATE UPON THE EXPIRATION OF THE WARRANTY PERIODS SPECIFIED ABOVE.

LIMITATIONS ON WARRANTY DISCLAIMERS

Some states do not allow limitations on how long an implied warranty lasts and some states do not allow the exclusion or limitation of the incidental or consequential damages, so part or all of the above limitations or exclusions may not apply to you. This warranty gives you specific legal rights, and you may also have other rights, which vary from state to state.

If your product is not covered by this warranty, please call our Customer Service Department at 1-888-278-8092 for general repair information, and charges and the location of your nearest authorized service facility.