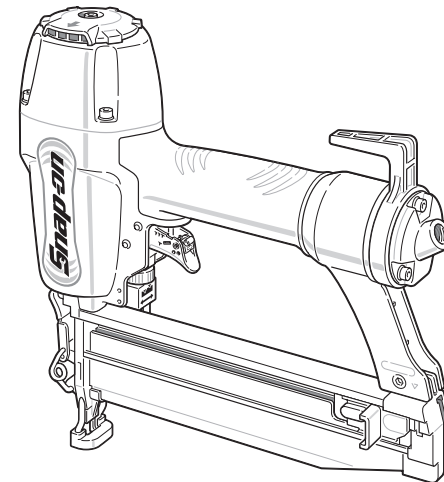


Snap-on®

MODEL #870014

16 GAUGE FINISH NAILER INSTRUCTION MANUAL



Snap-on®

SNAP-ON® IS A TRADEMARK LICENSED BY SNAP-ON® CORP., U.S.A., WHICH DOES NOT MANUFACTURE OR DISTRIBUTE THIS PRODUCT. CONSUMER INQUIRES SHOULD BE DIRECTED TO:

©COPYRIGHT 2007 ALLTRADE TOOLS, LLC.
1431 VIA PLATA
LONG BEACH, CA 90810-1462 USA

870014 - 16 Gauge Finish Nailer _Rev 8/19/07

**FOR CUSTOMER SERVICE
PARA EL SERVICIO
PARA EL CONSUMIDOR**

1-888-278-8092

Printed in Taiwan

THIS MANUAL CONTAINS IMPORTANT INFORMATION REGARDING SAFETY, OPERATION, MAINTENANCE AND STORAGE OF THIS PRODUCT. BEFORE USE, READ CAREFULLY AND UNDERSTAND ALL CAUTIONS, WARNINGS, INSTRUCTIONS AND PRODUCT LABELS. FAILURE TO DO SO COULD RESULT IN SERIOUS PERSONAL INJURY AND/OR PROPERTY DAMAGE.

IF YOU SHOULD HAVE ANY QUESTIONS OR EXPERIENCE A PROBLEM WITH YOUR SNAP-ON PRODUCT, DO NOT RETURN THIS PRODUCT TO THE STORE. PLEASE CALL OUR CUSTOMER SERVICE DEPARTMENT AT **1-888-278-8092**. BEFORE YOU CALL, HAVE THE FOLLOWING INFORMATION AVAILABLE: MODEL No., DATE PURCHASED AND STORE LOCATION.

TABLE OF CONTENTS

CONGRATULATIONS!	2
GENERAL SAFETY RULES	2
RECOGNIZE SAFETY SYMBOLS, WORDS AND LABELS	2-3
IMPORTANT INFORMATION ABOUT THIS MANUAL	4
SAFETY WARNINGS AND PRECAUTIONS	4-7
FUNCTIONAL DESCRIPTION	7-9
COMPONENT INSTALLATION	8-9
OPERATING THE FINISH NAILER	9-13
SELECT TRIGGER ACTUATION MODE	9-11
ADJUSTING DEPTH OF NAILING	11-12
USING THE HOOK	12
LOADING NAILS INTO THE AIR NAILER	12
USING THE NO-MAR NOSEPIECE	12-13
REQUIRED DAILY PREPARATION	13-14
USING THE AIR NAILER	14-16
CHANGING DIRECTION OF EXHAUST AIR	15
CLEARING JAMS	15
MAINTENANCE	15-16
MANDATORY MAINTENANCE	17
TROUBLESHOOTING	17-18
PARTS DIAGRAM	19
PARTS LIST	20-22
SPECIFICATIONS	23
1 YEAR LIMITED WARRANTY	23-26

CONGRATULATIONS!

Thanks for choosing this product. Our aim is to provide you with the highest quality products, and we want you to be totally satisfied with your product and our Customer Service. If any help or advice is needed, please contact us at 1-888-278-8092. When properly cared for, this product will give you many years of satisfaction.

GENERAL SAFETY RULES

WARNING

READ AND FOLLOW ALL INSTRUCTIONS. Failure to follow all instructions in this manual may result in severe personal injury or death. Keep this manual and refer to it for Safety Instructions, Operating Procedures, and Warranty.

SAVE THESE INSTRUCTIONS FOR FUTURE REFERENCE.

RECOGNIZE SAFETY SYMBOLS, WORDS AND LABELS

The safety instructions provided in this manual are not intended to cover all possible conditions and practices that may occur when operating, maintaining and cleaning power tools.

Always use common sense and pay particular attention to all the **DANGER**, **WARNING**, **CAUTION** and **NOTE** statements of this manual.



This is the safety alert symbol. It is used to alert you to potential personal injury hazards. Obey all safety messages that follow this symbol to avoid possible injury or death.

DANGER

DANGER indicates an imminently hazardous situation which, if not avoided, will result in death or serious injury.

WARNING

WARNING indicates a potentially hazardous situation which, if not avoided, could result in death or serious injury.

CAUTION

CAUTION indicates a potentially hazardous situation which, if not avoided, may result in minor or moderate injury.

CAUTION

CAUTION used without the safety alert symbol indicates a potentially hazardous situation which, if not avoided, may result in property damage.

NOTE

NOTE provides additional information that is useful for proper use and maintenance of this tool. If a **NOTE** is indicated make sure it is fully understood.

In addition to **SAFETY ALERTS** listed above, there could also be numerous symbols alerting the operator that specific safety equipment is required to safely operate this tool. Learn these **SAFETY SYMBOLS** as well as the **SAFETY ALERTS** to prevent injury to the operator and to bystanders.



READ OPERATING INSTRUCTIONS: Read and understand tool labels, safety warnings and precautions in this manual before operating the tool. Failure to follow **WARNINGS** could result in serious injury or even death to the operator or bystanders.



WEAR APPROVED EYE PROTECTION: Safety glasses must conform to the requirements of American National Standards Institute (ANSI) Z87.1 and provide protection against flying particles from both front and side.



WEAR HEARING PROTECTORS: Hearing protectors should be worn to protect the ears from loud exhaust noise produced by the air tools.



USE ONLY CLEAN, DRY COMPRESSED AIR: Never use oxygen, combustible gases and any other bottled gas to operate air tools. Using these other sources can cause the air tool to explode.



NEVER POINT THE FINISH NAILER AT YOURSELF OR OTHERS: Fasteners are under extreme pressure and can cause severe injury or even death if misused.



DO NOT EXCEED 120 psi (8.43 kg/cm²G). Using excessive pressure from the power source can cause the finish nailer to explode resulting in severe injury or even death to the operator or bystanders.

IMPORTANT INFORMATION ABOUT THIS MANUAL

Improper maintenance and operation are responsible for the majority of accidents involving finish nailers. The largest portion of these could be prevented by recognizing the basic safety rules and precautions. Most accidents can be avoided if the operator recognizes a potentially hazardous situation before it happens and by observing appropriate safety rules and procedures as outlined in this manual.

Basic safety precautions are outlined in the **SAFETY** portion of this manual and throughout text in this manual where a potential hazard might occur.

Hazards that **MUST** be avoided to prevent serious injury follow headers marked **DANGER** or **WARNING**. These same precautions are placed as labels on the tool itself.

NEVER use this nailer for applications that are **NOT** specified in this manual.

SAFETY WARNINGS AND PRECAUTIONS

DANGER

Do not operate finish nailer anywhere fastener may contact hidden electrical wiring. Contact with a "live" wire will make all metal parts of the finish nailer "live." This can result in severe electrical shock, severe burns or death to the operator. Contact a qualified electrical contractor to ensure a safe working environment exists.

Be aware of conduits or gas pipes. Striking a gas pipe could result in an explosion causing serious injuries or even death to the operator or bystanders.

Be aware of what is behind the work piece. A fastener could travel through the work piece and out the other side, striking a bystander resulting in serious injury or even death.

Do not operate the finish nailer in the presence of flammable liquids, such as gasoline, thinner, paint, or adhesives, gases or dust. Sparks created by the tool can cause flammable materials to ignite or explode. Failure to comply with this warning could result in serious injury or even death to the operator.

Keep bystanders, children and visitors away from area where finish nailer is being used. Distractions can result in severe injury or even death to anyone who inadvertently gets in the way of nailing operations.



Do not use oxygen, combustible or bottled gases (such as carbon dioxide or nitrogen) as a power source for the finish nailer. Use only compressed air from a source as outlined in this manual. The tool will explode resulting in severe injury or even death to the operator and bystanders.

⚠ WARNING



Do not connect finish nailer to an air source capable of generating more than 200 psi (14.06 kg/cm²G). Over-pressurizing the finish nailer will result in bursting, abnormal operation or breakage of the tool. Use only clean, dry, regulated compressed air at levels specified on the tool. Failure to comply can cause severe injury or death to the operator or bystanders.

Do not attempt to fasten the trigger in the "ON" position. This could lead to an accidental discharge of the finish nailer. Do not operate the finish nailer if any portion of the tool's operating controls are inoperable, disconnected, altered in any way or not in proper working order. Failure to comply with this warning could result in serious injury or even death to the operator or other bystanders.



All air compressors must comply with the requirements of ANSI b19.3. Pressure regulators must be used to limit air pressure where air supply pressure exceeds the tool's rated operating pressure.

Do not carry the finish nailer with a finger on the trigger. This could lead to an accidental discharge of the finish nailer. Do not press the trigger of the finish nailer unless it is pressed firmly against the work piece. Do not point the finish nailer at yourself or in the direction of another person. Failure to comply with this warning could result in serious injury or even death to the operator or other bystanders.

Do not tamper with the work piece contact. The work piece contact prevents accidental discharge of the finish nailer and should never be removed or compromised in any way. Failure to comply with this warning could result in serious injury or even death to the operator or other bystanders.

Always disconnect air hose and remove any remaining nails:

1. When finish nailer is left unattended.
2. Before performing any maintenance or repair on the finish nailer.
3. Before attempting to clear a jam in the finish nailer.
4. Before moving the finish nailer to a new location.

Always check the overall condition of the finish nailer before using. Check for and tighten any loose screws. Ensure all safety systems are in working condition before using the finish nailer. The finish nailer must not operate if only the trigger is pulled or if only the work piece contact is pressed against the work piece. The finish nailer must only be used if both the trigger and work piece contact work at the same time.

⚠ WARNING



Always use hearing protection to protect your ears against hearing loss due to exhaust noise. Always wear proper safety glasses to prevent injuries to the eyes from fragments of the work piece, defective nails or other debris caused by using the finish nailer. All safety glasses must have side shields and should conform to the requirements of the American National Standards Institute (ANSI) z87.1. Failure to comply with this warning could lead to serious or permanent damage to the ears as well as serious damage or permanent blindness in the eyes.

Never carry the finish nailer by the air hose. A sudden disconnection of the air hose could cause the finish nailer to remain charged and an accidental firing could occur. Failure to comply with this warning could lead to serious injury to the operator or bystanders.

Always disconnect the power source and ensure the tool is not charged before loading fasteners. Failure to comply with this warning could cause severe injury or death to the operator, bystanders and severe damage to the finish nailer.

Never use a non-relieving air coupler with the finish nailer. Always use couplers that release any built-up charge in the finish nailer's firing mechanism. A non-relieving air coupler can allow the finish nailer to discharge a fastener while the tool is disconnected from the power source. Failure to comply with this warning can result in serious or permanent injury or even death to the operator or to bystanders.

Do not drive nails on top of other nails. Do not operate the finish nailer at too steep of an angle. Nails can ricochet. Failure to comply with this warning can result in serious injury or even death to the operator or bystanders.

Do not modify the finish nailer in any way. Unauthorized alterations can jeopardize safety in the tool's operation. Failure to follow this precaution can result in serious injury or even death to the operator or bystanders.

On rooftops and other high locations, always move forward as you use the finish nailer. You can easily lose your footing if moving backwards. When nailing against a perpendicular surface, nail from the top down. This causes less fatigue and reduces the chances of accidents.

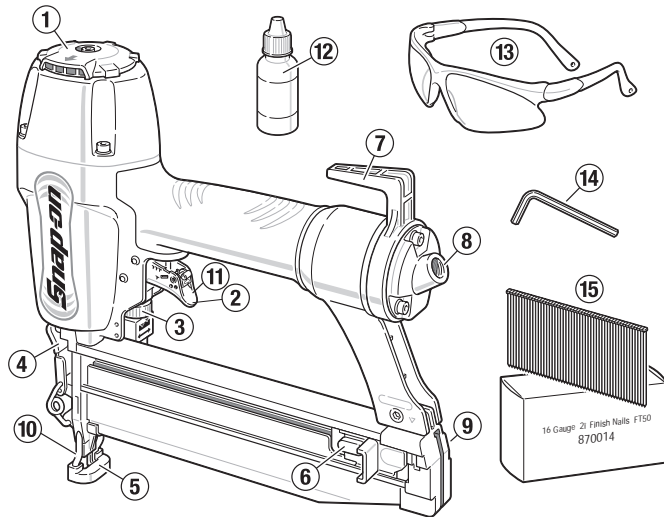
Ensure the work area is sufficiently illuminated to operate power tools. The work area should be clear and free of litter.

⚠ WARNING

Thoroughly clean and maintain the finish nailer after every use. Lubricate moving parts to prevent rust and minimize friction related wear. Wipe down the entire tool and remove all dust from the moving parts. Properly store the finish nailer in a suitable case to keep it ready for the next job.

All maintenance and repairs should be performed by an authorized repair facility. Call 1-888-278-8092 to obtain a list of repair facilities in your area or to make arrangements to return the tool for service.

FUNCTIONAL DESCRIPTION



CONTROLS AND COMPONENTS:

1. Exhaust Cover
2. Trigger
3. Nail Depth Adjuster
4. Latch
5. No-mar Nosepiece
6. Pusher
7. Hanging Hook
8. Air Inlet
9. No-mar Nosepiece Storage

10. Work Piece Contact
11. Trigger Actuation Mode Selector

ACCESSORIES:

12. Lubricant
13. Safety Glasses
14. Hex Wrenches (2)
15. Fasteners

COMPONENT INSTALLATION

⚠ WARNING

Never use a non-relieving air coupler with the finish nailer. Always use couplers that release any built-up charge in the finish nailer's firing mechanism. A non-relieving air coupler can allow the finish nailer to discharge a fastener while the tool is disconnected from the power source. Failure to comply with this warning can result in serious or permanent injury or even death to the operator or to bystanders.

When selecting an air compressor, it must comply with the requirements of the American National Safety Institute - ANSI B19.3.

Choose an air compressor that can supply more than the required air pressure to ensure optimum efficiency. Always use clean, dry compressed air with a maximum pressure of 200 psi. Use a pressure regulator and set the pressure between 70 – 120 psi. (5.0 – 8.5 kg/cm²G). Before each use, check the pressure regulator to ensure it is functioning within the proper pressure range.

⚠ WARNING

Using an air pressure of more than 120 psi can cause the finish nailer to malfunction or possibly explode causing severe injury or property damage.



SELECTING A PROPER AIR HOSE

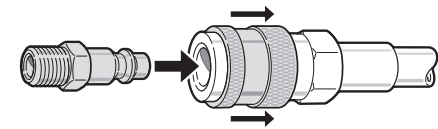
Use an air hose with the largest diameter and shortest length possible to ensure continuous, efficient nailing operations. Using an air pressure of 70 psi (5.0 kg/cm²G), an air hose with an inside diameter of 1/4" (6.5 mm) or greater and a hose length of less than 6.6 ft (20 m), it is recommended that a 0.5 second interval be allowed between each nailing. Air supply hoses shall have a minimum working pressure of 150 psi (10.7 kg/cm²G) or 150% of the maximum pressure produced by the compressor or whichever is higher.

⚠ CAUTION

Low air output by the compressor or a longer hose with a smaller inside diameter in relation to the nailing frequency may decrease the driving capability of the air nailer.

SELECTING A QUICK DISCONNECT

1. Remove the plastic protective plug from the tool's air inlet.
2. Insert a 1/4" NPT male quick disconnect into the air inlet. Install the female portion to the air hose.



To improve the connection between the quick disconnect and air nailer, and to help prevent oxidation, apply PTFE tape or joint compound to the connector threads before insertion.

3. Snap the air hose onto the quick disconnect on the air nailer. Check for air leaks.

LUBRICATION

To ensure maximum performance, it is recommended to install an air set (oiler, regulator, and air filter) as close as possible to the air nailer. Adjust the oiler so that approximately one drop of oil will be released for every 50 nails.

If an air set is not used or is unavailable, oil the tool using pneumatic tool oil by placing 2 or 3 drops into the air inlet. This should be done before and after use. For proper lubrication, the tool must be fired several times after the oil is introduced to the filter.

OPERATING THE FINISH NAILER

⚠ WARNING



Always use hearing protection to protect your ears against hearing loss due to exhaust noise. Always wear proper safety glasses to prevent injuries to the eyes from fragments of the work piece, defective nails or other debris caused by using the finish nailer. All safety glasses must have side shields and should conform to the requirements of the American National Standards Institute (ANSI) z87.1. Failure to comply with this warning could lead to serious or permanent damage to the ears as well as serious damage or permanent blindness in the eyes.

Always disconnect the air hose before making adjustments or checking the functionality of the air nailer.

SELECT TRIGGER ACTUATION MODE

The finish nailer is equipped with a selectable trigger. This allows the selection of Single Sequential Actuation Mode or Contact Actuation Mode.

OPERATION IN SINGLE SEQUENTIAL ACTUATION MODE

To select the Single Sequential Actuation Mode (see Figure 1):

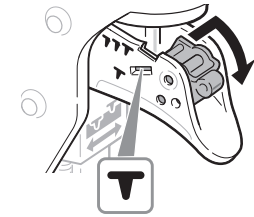


Figure 1

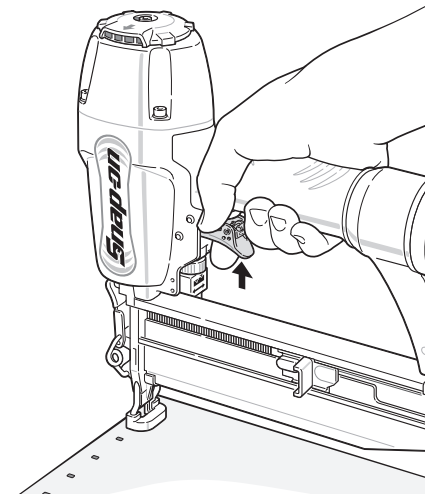
1. Press and hold the red Actuation Selector embedded in the trigger.
2. Rotate Actuation Selector down to the Single Sequential Actuation (T).
3. Release Actuation Selector, ensuring locking tab is fully seated in the slot.

⚠ CAUTION

Ensure selector has locked into position. Ensure actuation process is fully understood before attempting to use finish nailer.

TO USE THE FINISH NAILER IN SINGLE SEQUENTIAL ACTUATION MODE:

1. Firmly grip finish nailer handle.
2. Position finish nailer work piece contact on work piece surface.
3. Push finish nailer against work piece compressing work piece contact.
4. Pull trigger on finish nailer to drive nail. The finish nailer will recoil away from the work piece as nail is driven.
5. Remove finger from trigger and lift finish nailer away from surface of work piece.



OPERATION IN CONTACT ACTUATION MODE

⚠ WARNING

When using contact actuation mode, be careful of unintentional double fires resulting from tool recoil. Unwanted fasteners may be driven if the work piece contact is allowed to accidentally re-contact the work piece.

To select Contact Sequential Actuation Mode (see Figure 2):

1. Press and hold Actuation Selector embedded in the trigger.
2. Rotate Actuation Selector up to the Contact Sequential Actuation (TTT).
3. Release Actuation Selector, ensuring locking tab is fully seated in the slot.

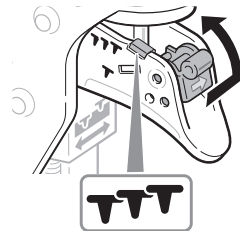


Figure 2

CAUTION

Ensure selector has locked into position. Ensure actuation process is fully understood before attempting to use finish nailer.

TO USE THE FINISH NAILER IN CONTACT ACTUATION MODE:

1. Firmly grip finish nailer handle.
2. Pull and hold the finish nailer trigger.
3. Push finish nailer against work piece compressing work piece contact.
4. The finish nailer will drive nail upon contact. The finish nailer will recoil away from the work piece as nail is driven.

ADJUSTING DEPTH OF NAILING

WARNING

Be aware of material thickness when using nailer. A protruding nail may cause injury.

Adjust the depth of nailing by turning the adjustment knob (Figure 3, Item 1) to the left (A) for the deepest setting and to the right (B) for the shallowest setting. To increase the depth of the nails, when the adjustment knob is already set to its highest setting, increase the air pressure. To decrease the depth of nails when the adjustment knob is already set to its lowest setting, decrease the air pressure. Should nails be driven too deep even when the adjustment knob is set at its lowest setting, decrease the air pressure. In general, the finish nailer will have a longer service life when the adjustment knob is set at a lower setting causing less wear and tear on the driving mechanism.

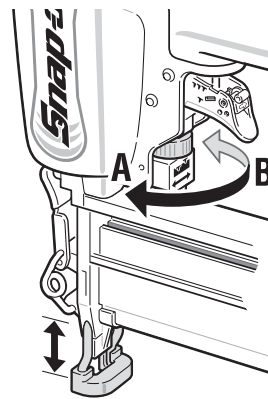


Figure 3

WARNING

Always disconnect the air nailer before making any adjustments to the nail depth knob.

USING THE HOOK

WARNING

Always disconnect the air hose before hanging the air nailer with the hook. NEVER hook the air nailer in a high location or on an unstable platform.

LOADING NAILS INTO THE AIR NAILER

WARNING

Always disconnect the air hose from the nailer before adding or removing nails to the air nailer.

NEVER use deformed nails or nail strip. Failure to observe this precaution can result in poor nail feeding and/or jams in the feeding mechanism.

To load nails in finish nailer, pull back pusher until it locks at back of magazine. Insert nails and depress pusher until it releases and rests against nails. (Figure 4).

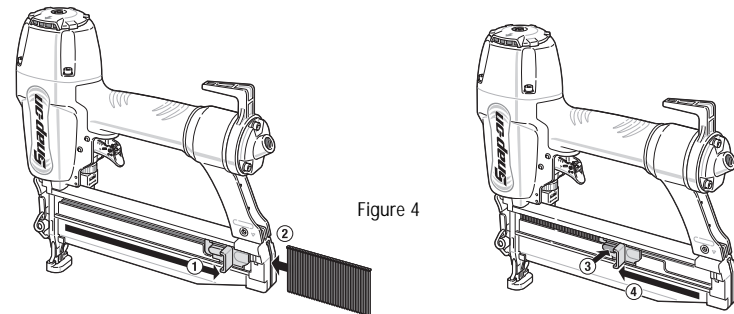


Figure 4

To remove nails, pull pusher back until it locks at back of magazine. Nails can now be removed from opening at back of magazine.

USING THE NO-MAR NOSEPIECE

WARNING

Always disconnect the air hose before attaching the no-mar nosepiece.

In order to prevent the surface of the work piece from being scratched or damaged, use the no-mar nosepiece. Install no-mar nosepiece by pressing it into place on the nose frame. See Figure 5.

Store the no-mar nosepiece in place when not being used.

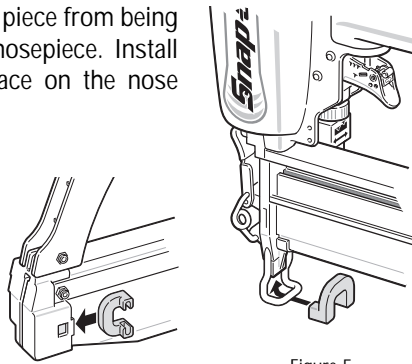


Figure 5

WARNING

Never use a non-relieving air coupler with the finish nailer. Always use couplers that release any built up charge in the finish nailer's firing mechanism. A non-relieving air coupler can allow the finish nailer to discharge a fastener while the tool is disconnected from the power source. Failure to comply with this warning can result in serious or permanent injury or even death to the operator or to bystanders.

When the air hose is disconnected, the pressure reservoir in the air nailer will discharge removing any built up air inside the tool.

REQUIRED DAILY PREPARATION

The following steps should be performed on a daily basis to ensure the finish nailer is operating correctly:

1. Disconnect air supply from nailer and remove fastener strip.
2. Check all screws, nuts and pins and ensure all are tight.
3. Press the pusher release button and slide back the pusher assembly (Overriding the reload indicator). Press the work piece contact against a work piece ensuring smooth movement.
4. With work piece contact against the work piece, pull trigger. The trigger must operate smoothly.
5. Connect air supply and set regulator for 70 psi. DO NOT load a fastener strip.

6. Select Single Sequential Actuation Operation. Check for leaks. Without pulling the trigger, press the work piece contact against the work piece. The tool **MUST NOT** operate. Holding the tool away from the work piece, pull trigger and hold for 5 seconds. The tool **MUST NOT** operate. Repeat steps several times. Without pulling trigger, press nailer against work piece and pull trigger. The tool **MUST** operate. Release trigger. Driver **MUST** move up.
7. Select Contact Actuation Operation. Holding nailer away from work piece, pull trigger. The tool **MUST NOT** operate. While still pulling trigger, press the nailer against work piece. The tool **MUST** operate.
8. If Steps 1 through 7 function properly, prepare the tool for use. Select operation mode and load fasteners.
9. Set the required depth of drive.
10. Repeat these steps daily. Test again if the nailer is dropped, jammed, etc.

USING THE AIR NAILER

To drive a nail, place the work piece contact of the air nailer against the work piece and pull the trigger. See Figure 6.

To avoid any unexpected nailings, perform the operation as follows:

1. Avoid placing the work piece contact against the work piece with excessive force.
2. Pull the trigger fully and hold it in the fired position for 1 to 2 seconds before releasing the trigger. This will give the air nailer time to completely expend the previous nail and build enough pressure for the next nail.

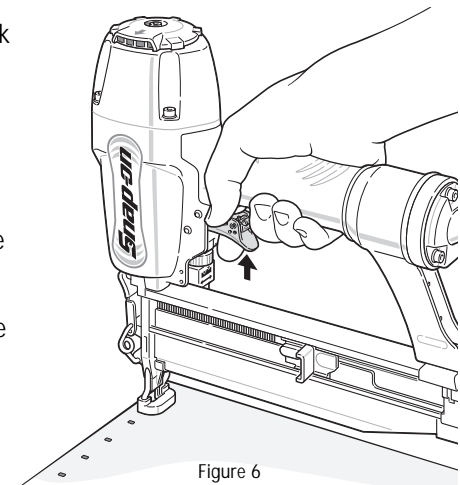


Figure 6

WARNING

DO NOT hold the trigger in a half-pulled position. This could cause an unexpected nailing to occur if the work piece contact is permitted to re-contact the work piece. Failure to comply could result in damage to work piece.

CHANGING DIRECTION OF EXHAUST AIR

The direction of exhaust air on the air nailer can be directed 360° degrees by placing hand on exhaust cover and turning. See Figure 7.

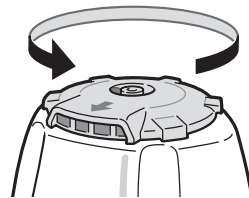


Figure 7

CLEARING JAMS

Typically, jams are caused when a fastener or a fastener fragment becomes wedged between the driver blade and nail guide. Using the wrong fastener can also cause jams.

TO CLEAR A JAM:

1. Disconnect the air supply and remove the fastener strip. Leave the pusher assembly open.
2. Pull out the latch tab and open the jam-clearing door.
3. Remove all debris that has built up during operation.
4. Remove jammed fastener. If fastener is difficult to grasp, use needle nose pliers instead of fingers.
5. If necessary, insert a flat-blade screwdriver so that it touches the tip of the driver blade. See Figure 8. Tap the screwdriver with a hammer. The screwdriver will push the driver blade back, freeing the jam.
6. Close the jam-clearing door securely.

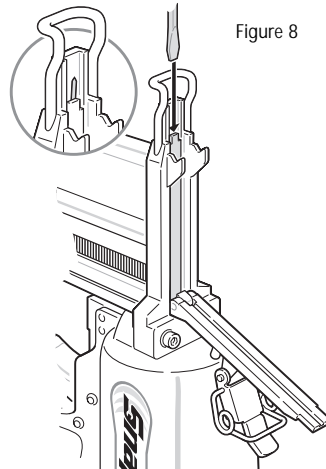


Figure 8

MAINTENANCE

STORAGE OF NAILS

Always handle nail strips and their box very carefully. If the nail strips have been mishandled, they may be out of shape or have breaks in the connecting strips. This will cause the nails to feed poorly and possibly result in misfiring or jams in the air nailer.

Avoid storing nails in a very humid or hot environment or place in direct sunlight.

OVERALL MAINTENANCE OF AIR NAILER

WARNING Always disconnect the air hose from air nailer before attempting any type of maintenance or visual inspection of tool.

Always visually inspect air nailer before every use. Check on the overall condition and for any loose screws. Tighten any screws that have come loose. See Figure 9.

Visually inspect the work piece contact and trigger to ensure there is free movement. See Figure 10.

When the tool is not going to be used for an extended period, wipe off all dust and debris that have collected on it. Tighten all loose screws. Lubricate the firing mechanism with pneumatic tool oil. See page 9 for Lubrication.

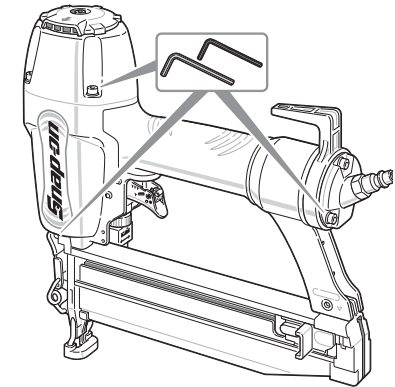


Figure 9

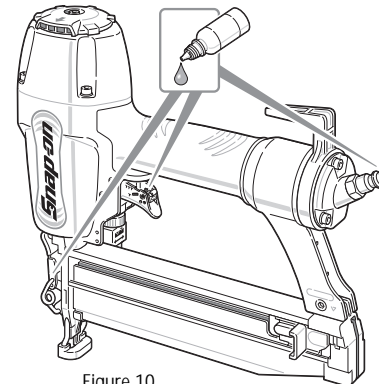


Figure 10

Store the air nailer in a safe location or in suitable carrying case. It is recommended that the air nailer be secured in a locked location to prevent unauthorized usage.

Avoid exposure to direct sunlight and/or locations with high humidity and heat.

WARNING Remove the air nailer from use and schedule to have it repaired at an authorized repair facility if the work piece contact is binding or not moving freely. Do not attempt to repair the air nailer. Failure to comply can result in malfunction of the tool and severe injury to the operator or any bystanders.

MANDATORY MAINTENANCE



WARNING All maintenance and repairs should be performed by an authorized repair facility. Call 1-888-278-8092 to obtain a list of repair facilities in your area or to make arrangements to return the tool for service.

ACTION	REASON	OPERATION
Clean magazine and feeder mechanism.	Prevents finish nailer from jamming.	Use compressed air and clean daily.
Inspect and ensure work piece contact operates properly.	Ensures operator safety and keeps finish nailer working efficiently.	Use compressed air and clean daily.
Lubricate finish nailer after every use using pneumatic tool oil.	Extends life of finish nailer.	Apply 2 – 3 drops of pneumatic tool oil to finish nailer air inlet after every use.

TROUBLESHOOTING

Most minor problems can be resolved quickly and easily using the troubleshooting table below. For problems that cannot be solved, contact Customer Service (toll free) at 1-888-278-8092.

PROBLEM	POSSIBLE CAUSE	SOLUTION
Nailer operates, but no nail is driven.	Check for jammed nail. Inspect nail feeder mechanism. Ensure correct nails are being used.	Clear jammed nail. Clean and lubricate nail feeder. Use ONLY recommended nails.

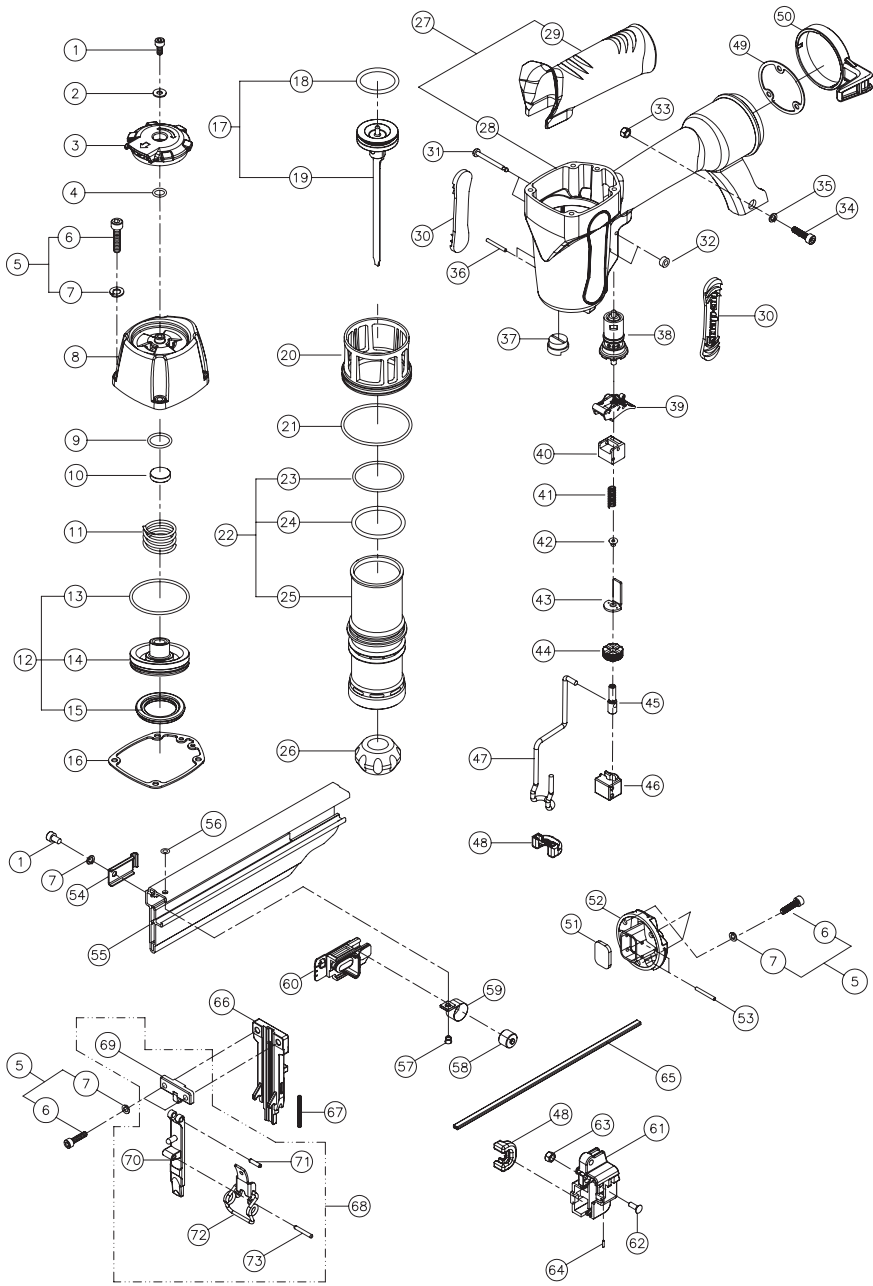
PROBLEM

POSSIBLE CAUSE

SOLUTION

Weak drive. Slow to cycle between nailings.	Ensure proper air pressure is being used. Inspect for worn driver blade. Inspect piston O-ring for wear or damage.	Increase air pressure. Do not exceed 120 psig (8.3 bars, 8.5 kg/cm ²) Contact Customer Service.
Nails driven too deep.	Check air pressure.	Reduce air pressure.
Finish nailer feeds intermittently or skips nails.	Ensure correct nails are being used. Inspect nail feeder mechanism. Piston O-ring damaged or worn Nail feeder worn or damaged.	Use ONLY recommended nails. Clean and lubricate nail feeder. Use recommended pneumatic tool oil. Contact Customer Service. Replace nail feeder.
Nails jam or driven nail is bent.	Ensure correct nails are being used. Inspect for worn driver blade. Nail feeder worn or damaged.	Use ONLY recommended nails. Contact Customer Service. Replace nail feeder.
Drives nails properly during normal nailing operations, but fails to drive nails fully at faster operating speeds.	Check inside diameter of air hose.	Switch to air hose with larger inside diameter.

PARTS DIAGRAM



PARTS LIST

ITEM NO.	PART NO.	DESCRIPTION
1	A0000-0221	Screw Set M5*8
2	A0005-0691	Washer 12*1
3	A0304-0661	Exhaust Cover
4	A0200-0631	O-Ring 9*1.9
5	B0000-0301	Screw Set M5*25
6	A0000-0111	Screw M5*25
7	A0005-0031	Washer #5*1.21
8	A0301-1561	Cap, Top
9	A0200-2821	O-Ring 17.7*2.2
10	A0311-0481	Seal, Air
11	A0100-1661	Spring
12	B0300-4151	Disc Valve Assembly
13	A0200-0531	O-Ring 45*2.5
14	A0308-0601	Fire Valve
15	A0311-0611	Firing Valve Seal
16	A0205-0671	Gasket
17	K0600-2171	Piston Unit
18	A0200-2671	O-Ring 31.7*3,6
19	B0600-2161	Piston Set
20	A0800-0651	Spacer
21	A0200-3571	O-Ring 58*3.2
22	K0300-2471	Cylinder Set
23	A0200-0121	O-Ring 40*2.5
24	A0200-3751	O-Ring 39.7*3.5

ITEM NO.	PART NO.	DESCRIPTION
25	A0303-0531	Cylinder
26	A0309-0471	Bumper
27	K0400-0681	Body and Handle Grip
28	A0401-1961	Body
29	A0204-1701	Grip
30	A0313-0661	Main Body Bumper
31	A0006-1161	Pin
32	A0005-0311	Pin Retainer 5.5*2
33	A0004-0021	Nylon Nut M5
34	A0000-0091	Screw M5*20
35	A0005-0681	Washer 8.5*5*1
36	A0011-0241	Spring Pin 3*26
37	A0310-0461	Nozzle
38	K0500-0601	Trigger Valve Set
39	K0500-1511	Trigger Set
40	A0712-1501	Release Catch Guide
41	A0100-0461	Spring
42	A0000-0611	Screw M4*6
43	A0711-2641	Release Catch
44	A0714-0661	Adjustment Wheel
45	A0006-1461	Release Catch Pin
46	A0712-1511	Release Catch A Guide
47	A0711-2631	Release Catch A
48	A0204-1521	Grip
49	A0205-0611	Gasket

ITEM NO.	PART NO.	DESCRIPTION
50	A0316-0321	Hook
51	A0203-0191	Filter
52	A0306-1161	Tail Cover
53	A0011-0161	Spring Pin 3*24
54	A0712-1531	Safety Cover
55	A0701-2341	Magazine
56	A0005-0121	E-Ring 3
57	A0006-1491	Step Pin
58	A0703-0251	Wheel Guide
59	A0102-0161	Spring
60	K0700-5851	Pusher Set
61	A0718-0711	Tail Cover
62	A0000-0571	Screw M4*12
63	A0004-0011	Nylon Nut M4
64	A0011-0131	Spring Pin 3*10
65	A0701-2131	Nail Rail
66	A0713-0841	Outlet Site
67	A0100-0681	Spring
68	K0700-5411	Outlet Site Cover Set
69	A0719-0871	Stopper
70	A0713-0891	Outlet Site Cover
71	A0011-0711	Spring Pin 4*14
72	B0800-0341	Click Lever Set
73	A0011-0311	Pin 3*22

SPECIFICATIONS

MODEL NUMBER	870014
AIR PRESSURE	70-120 PSIG (5.0- 8.5 kg/cm ² G)
NAIL LENGTH	3/4" (12.5 mm) - 2 1/2" (25 mm)
NAIL CAPACITY	105 NAILS
MINIMUM HOSE DIAMETER	1/4" (6.5 mm)
NAIL DIAMETER	16 GAUGE
NET WEIGHT	3.6 LBS. (1.6 KG)

1 YEAR LIMITED WARRANTY

Express and Exclusive Limited Warranty to Original Retail Buyer

Alltrade Tools LLC (hereinafter "Alltrade") expressly warrants to the original retail purchaser of the accompanying SNAP-ON™ portable air tool and no one else all parts of the product (except those parts referred to below which are specifically excluded from such warranty (see Exclusions) to be free from defects in materials and workmanship for a period of one year from the original date of purchase.

The date of purchase shall be the date of shipment to the original purchaser, or the date the original purchaser took possession, custody, or control of the product, whichever occurred first. This warranty shall be null and void if the product or any component thereof is modified or altered. This warranty does not apply to any other product and/or component thereof manufactured or distributed by Alltrade, and does not apply to products and/or components thereof designed, manufactured and/or assembled by others, for which Alltrade makes no warranties whatsoever. **THERE ARE NO WARRANTIES, WHICH EXTEND BEYOND THE DESCRIPTION ON THE FACE HEREOF.**

WARRANTY PERFORMANCE

By purchasing this product, purchaser expressly acknowledges and agrees that their sole and exclusive remedy under this warranty shall be strictly limited to the repair or replacement of any covered nonconforming items or parts thereof provided that any such nonconforming item and/or part is promptly returned to an Authorized Service Center within the applicable warranty period, with a written

request by purchaser to repair and/or replace the nonconforming item and/or part. We recommend that you keep the original product packaging in the event you need to ship the unit. We suggest the package be insured against loss or in transit damage. When sending your product, include your name, address, phone number, e-mail address, dated proof of purchase (or copy) and a statement about the nature of the problem. Warranty coverage is conditioned upon purchaser furnishing Alltrade with adequate written proof that they are the original purchaser and of the original purchase date. Parts returned, freight prepaid and insured, to Alltrade's facility (see above address) will be inspected and, at Alltrade's option, repaired and/or replaced free of charge if it is found to be defective and subject to warranty. Alltrade retains the sole discretion to determine whether any item or part is nonconforming and, if so, whether the item and/or part will be repaired and/or replaced. If the unit is repaired, new or reconditioned replacement parts may be used. If Alltrade chooses to replace the product, it may replace it with a new or reconditioned of the same or comparable design. The repaired or replaced unit will be warranted under the terms of the remainder of the one year warranty period; covered defective parts not subject to normal wear and tear or other exclusions will be repaired or replaced, at Alltrade's option. During the warranty period, Alltrade will be responsible for the return shipping charges. Alltrade's repair and/or replacement of any nonconforming item and/or part thereof shall constitute fulfillment of all obligations to the purchaser. Alltrade shall not be responsible or liable for any expense, including freight charges, or repairs made outside Alltrade's facility or an Alltrade designated service, unless expressly agreed to by Alltrade in writing. Under no circumstances shall Alltrade bear any responsibility for loss of the unit, loss of time or rental, inconvenience, commercial loss, or consequential damages.

For the location of an Authorized Service Center nearest you, please call customer service at 1-888-278-8092.

EXCLUSIONS

Air nailers and staplers need periodic maintenance to remain in proper operating condition. Normal wear parts (o-rings and driver blades) shall be warranted to the original purchaser to be free from defects in materials and workmanship for a period of 90 days from the original date of purchase.

This warranty does not cover parts damaged due to normal wear, abnormal conditions, misapplication, misuse, abuse, accidents, operation, improper storage, or freight damage. Parts damaged or worn by operation in dusty environments are not warranted. Failure to follow recommended operating and maintenance procedures also voids warranty.

DAMAGE TO THE PRODUCT RESULTING FROM TAMPERING, ACCIDENT, ABUSE, NEGLIGENCE, FAILURE TO FOLLOW INSTRUCTIONS, UNAUTHORIZED REPAIRS OR ALTERATIONS, DAMAGE WHILE IN TRANSIT TO OUR SERVICE FACILITY, USE OF UNAPPROVED OR IMPROPER ATTACHMENTS OR ACCESSORIES, OR OTHER CAUSES UNRELATED TO PROBLEMS WITH MATERIAL OR WORKMANSHIP ARE NOT COVERED BY THIS WARRANTY.

Alltrade will not be liable for the following: labor charges, loss or damage resulting from improper operation, maintenance or repairs made by other persons; pre-delivery services such as assembly, oil and lubricants, and adjustment; maintenance services that are normally required to maintain the product.

The use of other than genuine Snap-On™ Repair Parts will VOID the warranty.

WARRANTY DISCLAIMERS

EXCLUSION AND DISCLAIMER OF ALL OTHER EXPRESS WARRANTIES, GUARANTIES AND/OR REPRESENTATIONS, EXCEPT FOR THE LIMITED WARRANTY PROVIDED HEREIN, ALL OTHER EXPRESS WARRANTIES, GUARANTIES, AND/OR REPRESENTATIONS BY ALLTRADE AND OR ITS REPRESENTATIVE(S) REGARDING THE DESIGN, MANUFACTURE, PURCHASE, USE AND/OR OPERATION OF THE PRODUCT OR ANY COMPONENT THEREOF SOLD HEREUNDER, REGARDLESS OF WHETHER ANY SUCH WARRANTY, GUARANTY AND/OR REPRESENTATION, WRITTEN OR ORAL, ARISES BY OPERATION OF LAW AND/OR EQUITY AND/OR BY ANY ACT OR OMISSION OF ALLTRADE AND/OR ITS REPRESENTATIVE(S), OR THE BUYER, ARE HEREBY EXPRESSLY EXCLUDED AND DISCLAIMED BY ALLTRADE AND/OR ITS REPRESENTATIVES. PURCHASER KNOWINGLY AND WILLINGLY WAIVES ANY AND ALL SUCH WARRANTIES AND RIGHTS, CLAIMS AND/OR CAUSE OF ACTION ARISING THEREFROM OR BASED THEREON. PURCHASER'S SOLE AND EXCLUSIVE REMEDY IS AS STATED ABOVE.

EXCLUSION AND DISCLAIMER OF ALL IMPLIED WARRANTIES, INCLUDING THE IMPLIED WARRANTIES OF MERCHANTABILITY AND FITNESS FOR A PARTICULAR PURPOSE. NO WARRANTY, ORAL OR WRITTEN, OTHER THAN THE WARRANTY LISTED HEREIN IS MADE WITH REGARD TO THIS PRODUCT. ALL WARRANTIES AND/OR IMPLIED WARRANTIES, GUARANTIES AND/OR REPRESENTATIONS BY ALLTRADE AND/OR ITS REPRESENTATIVE(S) REGARDING THE DESIGN, MANUFACTURE, PURCHASE, USE AND/OR OPERATION OF THE PRODUCT OR ANY COMPONENT THEREOF SOLD HEREUNDER, REGARDLESS OF WHETHER ANY SUCH WARRANTY, GUARANTY AND/OR REPRESENTATION, WRITTEN OR ORAL, ARISES BY OPERATION OF LAW AND/OR EQUITY AND/OR BY ANY ACT OR OMISSION OF ALLTRADE AND/OR ITS REPRESENTATIVES. PURCHASER KNOWINGLY AND WILLINGLY WAIVES ANY AND ALL SUCH WARRANTIES AND RIGHTS, CLAIMS AND/OR CAUSES OF ACTION ARISING THEREFROM OR BASED THEREON.

PURCHASER'S SOLE AND EXCLUSIVE REMEDY IS AS STATED ON PRECEDING PAGES.

LIMITATIONS OF LIABILITY

IN NO EVENT SHALL ALLTRADE AND/OR ITS REPRESENTATIVE(S) BE LIABLE FOR INDIRECT, INCIDENTAL, SPECIAL AND/OR CONSEQUENTIAL DAMAGES OF ANY KIND ARISING OUT OF OR RELATED TO, DIRECTLY OR INDIRECTLY, ANY BREACH OR PROVISION OF ANY AGREEMENT BETWEEN ALLTRADE AND/OR ITS REPRESENTATIVE(S) AND PURCHASER, AND WARRANTY HEREUNDER, AND/OR THE EXISTENCE, DESIGN, MANUFACTURE, PURCHASE, USE AND/OR OPERATION OF ANY ITEM(S) SOLD HEREUNDER EVEN IF ALLTRADE AND/OR ITS REPRESENTATIVE(S) HAS BEEN ADVISED OF THE POSSIBILITY OF ANY SUCH DAMAGES. IN NO EVENT, WHETHER BECAUSE OF A BREACH OF CONTRACT, WARRANTY, TORT (INCLUDING NEGLIGENCE) OR OTHERWISE, SHALL ALLTRADE'S AND/OR ITS REPRESENTATIVE (S) LIABILITY EXCEED THE PRICE OF THE PRODUCT. ALL LIABILITY CONNECTED WITH THE USE OF THIS PRODUCT SHALL TERMINATE UPON THE EXPIRATION OF THE WARRANTY PERIODS SPECIFIED ABOVE.

LIMITATIONS ON WARRANTY DISCLAIMERS

Some states do not allow limitations on how long an implied warranty lasts and some states do not allow the exclusion or limitation of the incidental or consequential damages, so part or all of the above limitations or exclusions may not apply to you. This warranty gives you specific legal rights, and you may also have other rights, which vary from state to state.

If your product is not covered by this warranty, please call our Customer Service Department at 1-888-278-8092 for general repair information, and charges and the location of your nearest authorized service facility.